



Weyn-Lauwers N.V.

Industriepark-Noord 12
B - 9100 SINT-NIKLAAS

Tel. : 00 32 (0)3 776.34.13
Fax : 00 32 (0)3 778.09.52
weynlauwers@weynlauwers.be
www.weynlauwers.be

PISTON CHECK VALVE
SW - 800LBS
carbon steel
FIG 724.1

DESIGN FEATURES

- forged gate valve 3/8"-2"
- **welding ends socket weld**
- min. temp : -20°C
- max. temp : +440°C
- specifications : piston type
 bolted bonnet
 gland pack
 reduced bore
 with spring
 1/2 stellite (trim 8)

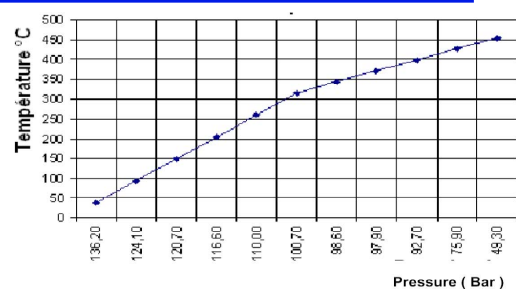
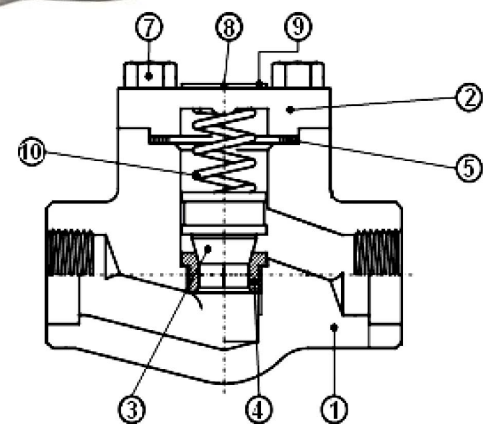
USE

- for all common fluids max. press. 138 bar

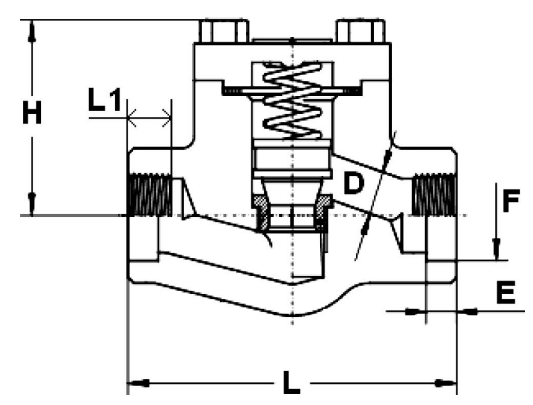


MATERIALS

item	Part name	Material
1	body	ASTM A105N
2	bonnet	ASTM A105N
3	piston	ASTM A276 type 410
4	seat	ASTM A276 type 410 + stellite GR.6'
5	gasket	SS316+graphite spiral wound
6		
7	bolts	ASTM A193 B7
8	rivet	carbon steel
9	nameplate	aluminium
10	spring	SS 302



SIZE (in mm)



DN	3/8"	1/2"	3/4"	1"	1 1/4"	1 1/2"	2"			
D	7	9	13	17,5	22,5	29,5	35			
L	80	80	90	110	127	155	170			
H	53	53	60	73	80	98	118			
E	11,1	12,7	14,5	16	17,5	19	22			
F	17,6	21,72	27,05	33,78	42,54	48,64	61,11			
Kv m3/h	0,95	0,86	2,4	5,2	8,2	9,5	15,6			
kg	1,3	1,2	1,4	2,4	3,6	5,4	8			
ref.	724.1.03	724.1.04	724.1.05	724.1.06	724.1.07	724.1.08	724.1.09			