

Weyn-Lauwers N.V.

Industriepark-Noord 12
B - 9100 SINT-NIKLAAS

Tel. : 00 32 (0)3 776.34.13
Fax : 00 32 (0)3 778.09.52
weynlauwers@weynlauwers.be
www.weynlauwers.be

**BELLOW GLOBE VALVE
CARBON STEEL - PN40
FIG 485**

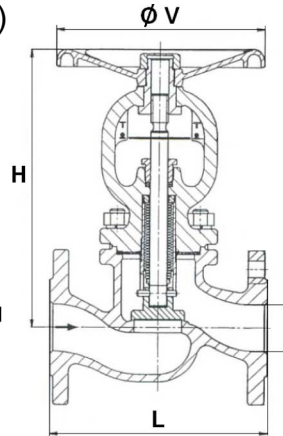
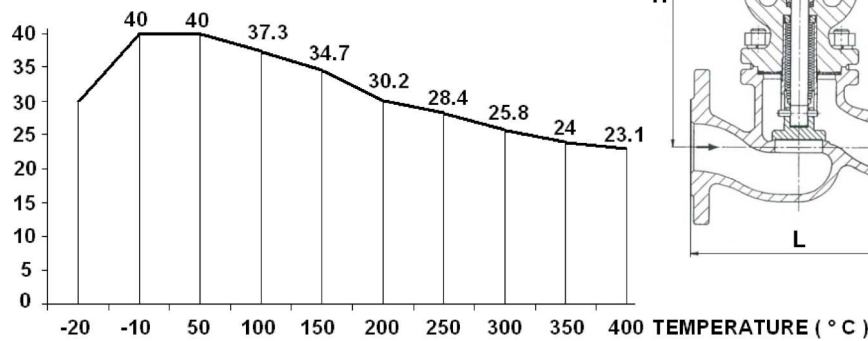
DESIGN FEATURES

- carbon steel bellow globe valve dn15 - dn200 PN40
- temp : -20°C +400°C
- specifications :
 - rising rotating stem and handwheel
 - bolted bonnet and gland packing
 - ! respect the flow ! (indicated by arrow)
 - bolted bonnet and gland pack

USE

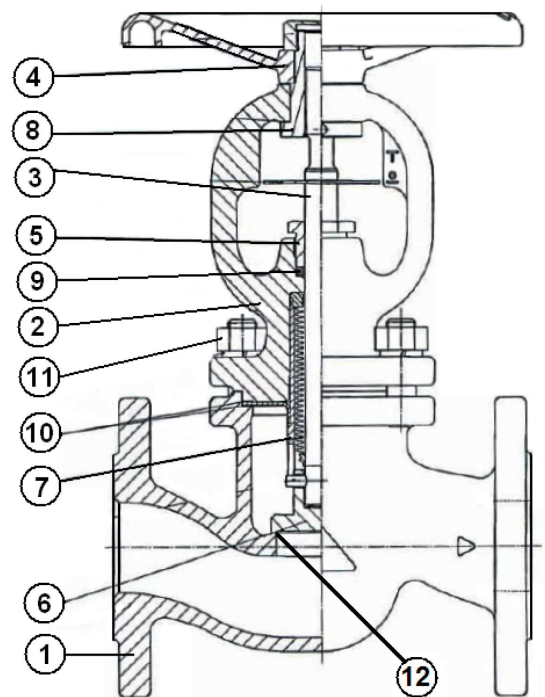
- for all common fluids of second group

Pressure (Bar)



MATERIALS

item	Part name	Material
1	body	carbon steel A216 WCB
2	bonnet	carbon steel A216 WCB
3	stem	SS 303 (1.4305)
4	handwheel	cast iron
5	gland	11SMnPb30 (1.0718)
6	disc	SS 420 (1.4021)
7	bellow	SS 321 (1.4541)
8	Ring	11SMnPb30 (1.0718)
9	gland packing	graphite
10	bonnet gasket	graphite + CrNiSt
11	bolt and nut	A2-70
12	seat	SS 410 (1.4006)



SIZE (in mm)

DN	15	20	25	32	40	50	65	80	100	125	150	200
Bore	15	20	25	32	40	50	65	80	100	125	150	200
L	130	150	160	180	200	230	290	310	350	400	480	600
H open	195	195	195	230	230	311,5	311,5	393	393	563	563	720
H close	189	189	189	220	220	295	295	368	368	523	523	670
V	120	120	120	160	160	195	195	280	280	350	350	400
kg	4,7	5,5	6,17	11,25	12,49	15,45	20,5	34	44	77	110	205
ref.	207124	207125	207126	207127	207128	207129	207130	207131	207132	207133	207134	207135