



Weyn-Lauwers N.V.

Industriepark-Noord 12
B - 9100 SINT-NIKLAAS

Tel. : 00 32 (0)3 776.34.13
Fax : 00 32 (0)3 778.09.52
weynlauwers@weynlauwers.be
www.weynlauwers.be

Y-STRAINER
SS316 - PN16
FIG 807

DESIGN FEATURES

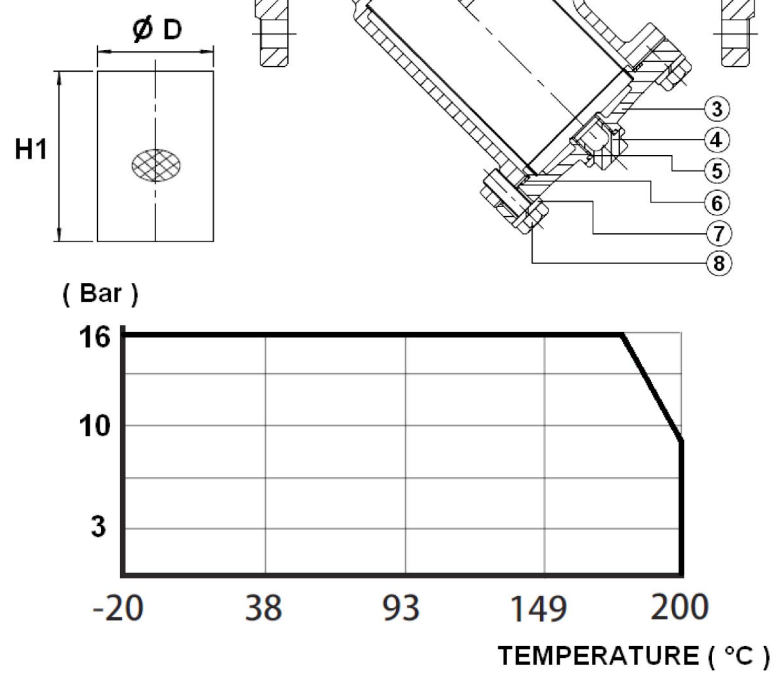
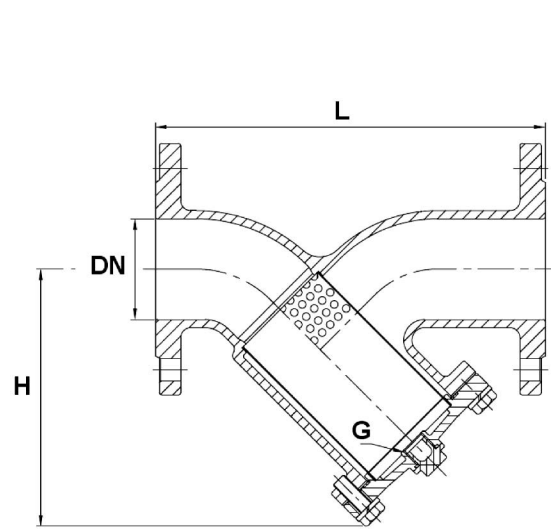
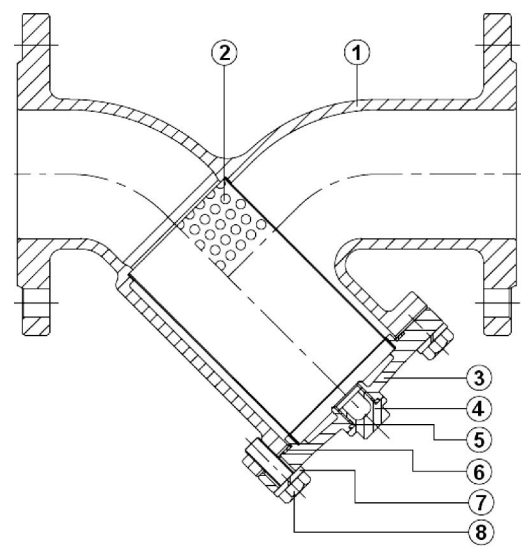
- stainless steel Y-strainer dn15 - dn200 PN16
- temp : -20°C +200°C
- specifications :
removable stainless steel strainer
bolted bonnet with draining plug

USE

- for common fluids
- max. pressure : 16 bar, flanged pn16

MATERIALS

item	Part name	Material
1	body	A351 CF8M
2	filter	SS 316
3	bonnet	A351 CF8M
4	draining cap	A351 CF8M
5	gasket	PTFE
6	bonnet gasket	PTFE
7	washer	SS 316
8	screw	SS 316



SIZE (in mm)

DN	15	20	25	32	40	50	65	80	100	125	150	200				
L	130	150	160	180	200	230	290	310	350	400	480	600				
H	85	85	112	114	132	150	185	200	232	274	328	410				
G	1/2"	1/2"	1/2"	1/2"	1/2"	1/2"	1/2"	1/2"	3/4"	3/4"	3/4"	3/4"				
D	19	24	27	40	43	54	65	85	103	128	154	208				
H1	57	55	87	82	99,5	102	135	150	160	221	250	300				
mesh	0,8	0,8	0,8	0,8	0,8	0,8	1	1	3	3	3	3				
kg	2	2,7	3,5	5	6,1	8,1	12,3	15,5	22	30	45,1	77,1				
ref.	206988	206989	206990	206991	206992	206993	206994	206995	206996	206997	206998	206999				