



Weyn-Lauwers N.V.

Industriepark-Noord 12
B - 9100 SINT-NIKLAAS

Tel. : 00 32 (0)3 776.34.13
Fax : 00 32 (0)3 778.09.52
weynlauwers@weynlauwers.be
www.weynlauwers.be

**GLOBE VALVE
BRONZE - PN16
fig 410**

DESIGN FEATURES

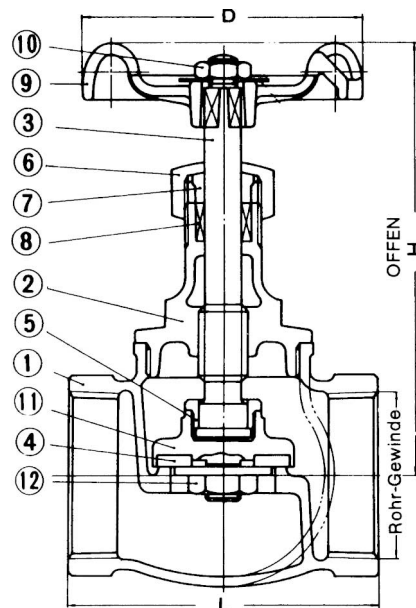
- globe valve 1/2"-2" PN16
- threaded BSP
- min. temp : -10°C
- max. temp : +180°C
- specifications : with handwheel
PTFE seal

USE

- for hot water, saturated and wet steam, oil, gas

MATERIALS

item	Part name	Material
1	body	bronze
2	bonnet 1/2"-1"	brass
2	bonnet 5/4"-2"	bronze
3	spindle	brass
4	seal	PTFE
5	counter nut	brass
6	packing box screw	brass
7	clamping ring	brass
8	packing	graphite
9	handwheel 1/2"-6/4"	zinc
9	handheel 2"	cast iron
10	fixing nut	brass
11	disc 1/2"-5/4"	brass
11	disc 6/4"-2"	bronze
12	sealing nut	brass



SIZE (in mm)

DN	1/2"	3/4"	1"	1 1/4"	1 1/2"	2"
L	58	66	75	90	98	120
H	90	99	109	113	143	162
D	58	66	73	84	94	106
kg	0,37	0,53	0,83	1,32	1,08	2,97
ref.	205003	205004	205005	205006	205007	205008