

Weyn-Lauwers N.V.

Industriepark-Noord 12
B - 9100 SINT-NIKLAAS

Tel. : 00 32 (0)3 776.34.13
Fax : 00 32 (0)3 778.09.52
weynlauwers@weynlauwers.be
www.weynlauwers.be

GLOBE VALVE
SS 316 - bsp
fig 420

DESIGN FEATURES

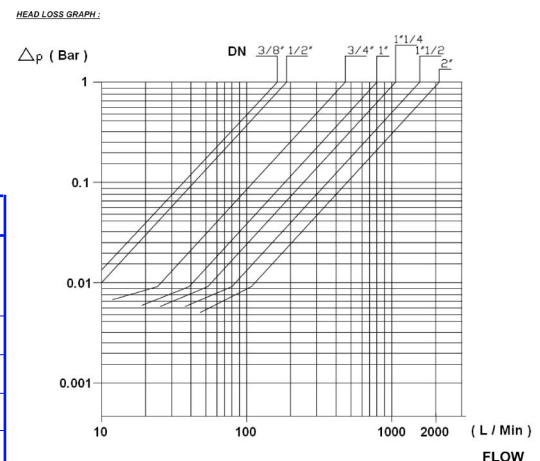
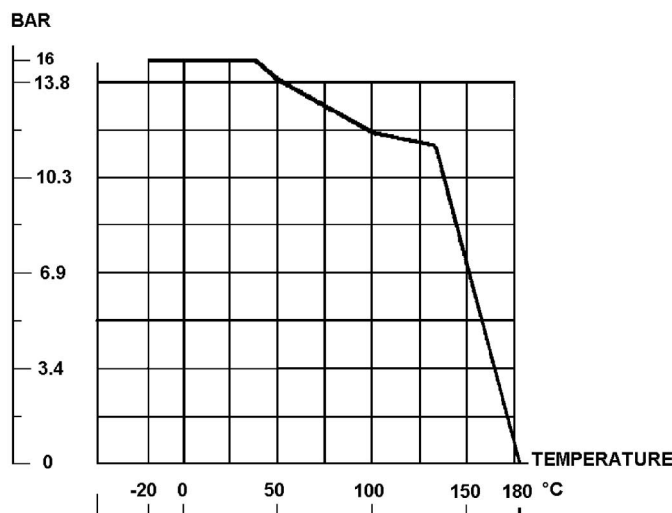
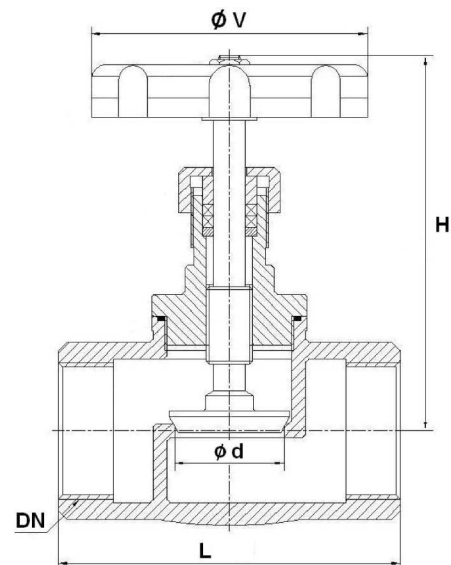
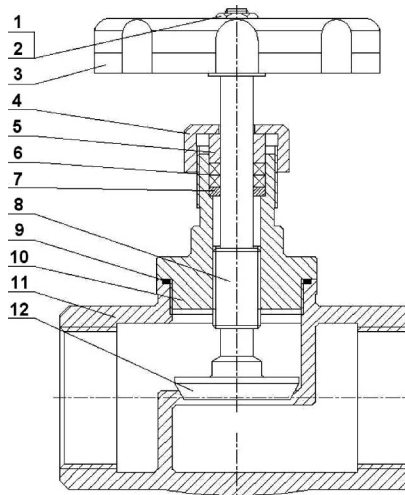
- globe valve 1/2"-2" PN16
- threaded BSP
- min. temp : -20°C
- max. temp : +180°C
- specifications : rising rotating stem and handwheel
PTFE packing
full bore

USE

- for common fluids
- max. pressure : see graph.

MATERIALS

item	Part name	Material
1	handwheel nut	SS 304
2	handwheel washer	SS 304
3	handwheel	Aluminium
4	packing nut	A351 CF8M
5	packing gland	SS 316
6	packing	PTFE
7	ring	SS 316
8	stem	SS 316
9	bonnet gasket	PTFE
10	bonnet	A351 CF8M
11	end	A351 CF8M
12	disc	A351 CF8M



SIZE (in mm)

DN	1/2"	3/4"	1"	1 1/4"	1 1/2"	2"
d	15	20	25	32	38	50
L	65	80	90	105	120	140
H	85	95	105	125	135	155
V	70	70	80	90	90	100
kg	0,35	0,55	0,85	1,40	1,98	2,75
ref.	205632	205633	205634	205635	205636	205637