

**Weyn-Lauwers** N.V.

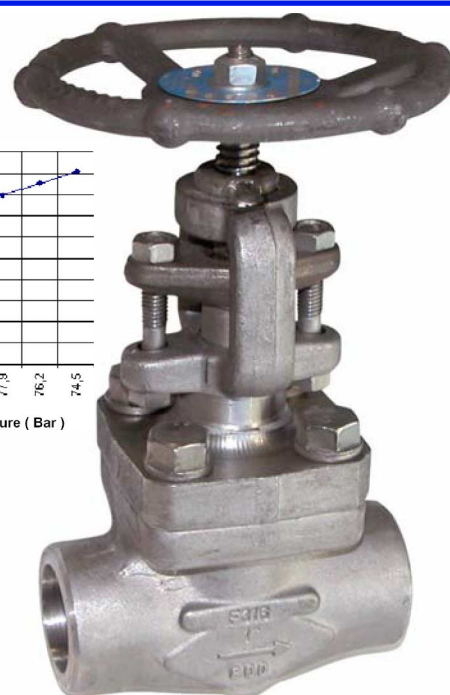
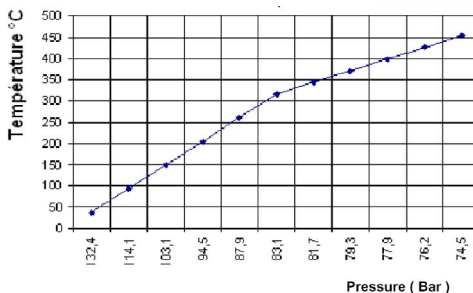
Industriepark-Noord 12  
B - 9100 SINT-NIKLAAS

Tel. : 00 32 (0)3 776.34.13  
Fax : 00 32 (0)3 778.09.52  
weynlauwers@weynlauwers.be  
www.weynlauwers.be

**FORGED GLOBE VALVE**  
**SW - 800LBS**  
**stainless steel**  
**FIG 428**

**DESIGN FEATURES**

- forged globe valve 3/8"-2"
- **welding ends socket weld**
- min. temp : -30°C
- max. temp : +440°C
- specifications : rising stem  
bolted bonnet  
gland pack  
reduced bore

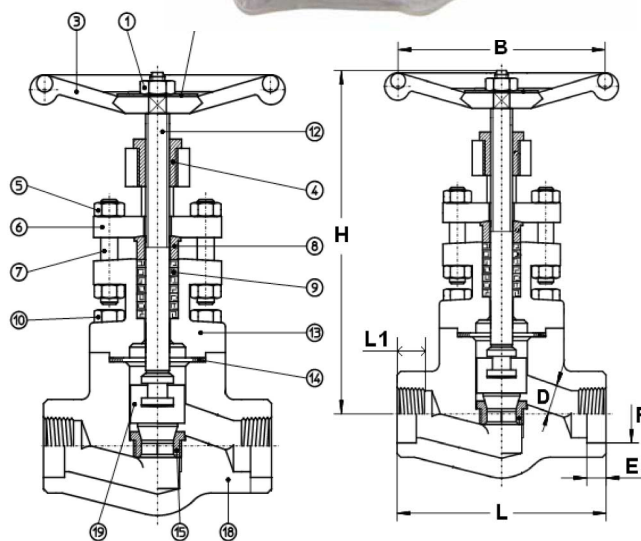


**USE**

- for all common fluids max. press. 138 bar

**MATERIALS**

item	Part name	Material
1	wheel nut	carbon steel
2	name plate	aluminium
3	handwheel	carbon steel
4	Yoke nut	ASTM A582 type 416
5	Gland nut	ASTM A194 2H
6	Gland flange	ASTM A182 F304
7	Gland stuk	ASTM A193 B8
8	Gland	ASTM A479 type 304
9	packing	graphite
10	bolts	ASTM A193 B8
11	stem	ASTM A479 type 316
12	bonnet	ASTM A182 F316
13	gasket	SS316+graphite spiral w.
14	seat	ASTM A479 type 316
18	body	ASTM A182 F316
19	disc	ASTM A479 type 316



**SIZE (in mm)**

DN	3/8"	1/2"	3/4"	1"	1 1/4"	1 1/2"	2"			
D	9	9	13	17,5	22,5	29,5	35			
L	80	80	90	110	127	155	170			
H open	148	148	165	180	213	248	257			
B	90	90	90	110	130	130	180			
E	11,1	12,7	14,5	16	17,5	19	22			
F	19,6	21,72	27,05	33,78	42,54	48,64	61,11			
Kv m3h	1,2	1,3	3,3	5,9	9,5	12,4	21,6			
kg	1,9	1,9	2,18	3,52	5,30	7,30	11,3			
ref.	428.03	428.04	428.05	428.06	428.07	428.08	428.09			