

**Weyn-Lauwers** N.V.

Industriepark-Noord 12  
B - 9100 SINT-NIKLAAS

Tel. : 00 32 (0)3 776.34.13  
Fax : 00 32 (0)3 778.09.52  
weynlauwers@weynlauwers.be  
www.weynlauwers.be

**GLOBE VALVE  
CARBON STEEL - PN40  
FIG 455**

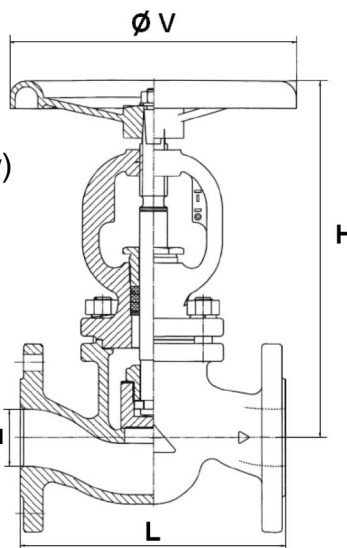
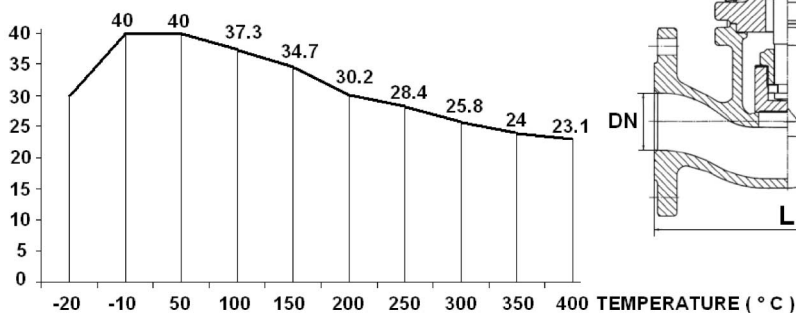
**DESIGN FEATURES**

- carbon steel globe valve dn15 - dn200 PN40
- temp : -20°C +400°C
- specifications :
  - rising rotating stem and handwheel
  - bolted bonnet and gland packing
  - ! respect the flow ! (indicated by arrow)
  - bolted bonnet and gland pack

**USE**

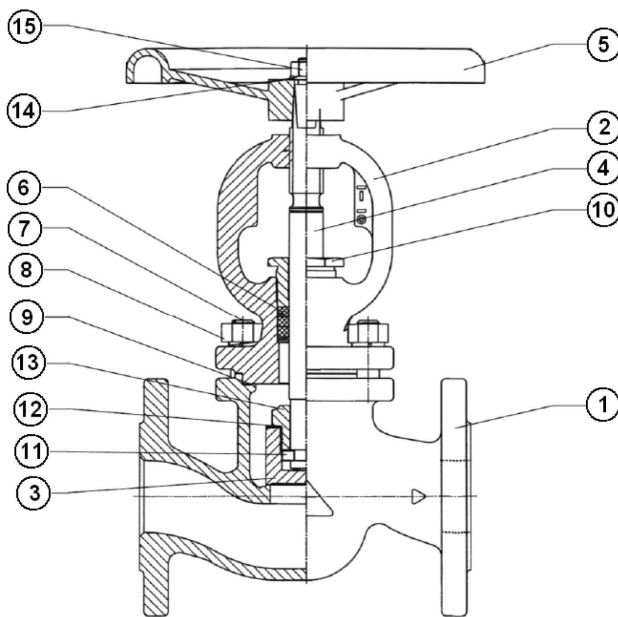
- for all common fluids of second group

Pressure ( Bar )



**MATERIALS**

item	Part name	Material
1	body	carbon steel A216 WCB
2	bonnet	carbon steel A216 WCB
3	disc	SS 420 (1.4021)
4	stem	SS 420 (1.4021)
5	handwheel	cast iron EN-GJS-400-18-LT
6	gland pack	graphite
7	T-bolt	42CrMo5 (1.7233)
8	nut	C35 (1.1181)
9	bonnet gasket	graphite + NiCr
10	gland	11SMnPb30 (1.0718)
11	ring	SS 420 (1.4021)
12	washer	SS 321 (1.4541)
13	screw	SS 420 (1.4021)
14	handwheel washer	carbon steel galva.
15	handwheel nut	carbon steel galva.



**SIZE (in mm)**

DN	15	20	25	32	40	50	65	80	100	125	150	200
Bore	15	20	25	32	40	50	65	80	100	125	150	200
L	130	150	160	180	200	230	290	310	350	400	480	600
H open	195	195	195	230	230	311,5	311,5	393	393	563	563	668
H close	189	189	189	220	220	295	295	368	368	523	523	576
V	120	120	120	160	160	195	195	280	280	350	350	400
kg	4,4	5,2	5,72	11,27	12,23	15,48	28	36	50	73,6	95	175
ref.	205520	205521	205522	205523	205524	205525	205526	205527	205528	455.13	205529	205519