

Weyn-Lauwers N.V.

Industriepark-Noord 12
B - 9100 SINT-NIKLAAS

Tel. : 00 32 (0)3 776.34.13
Fax : 00 32 (0)3 778.09.52
weynlauwers@weynlauwers.be
www.weynlauwers.be

BIBCOCK BALL VALVE
PN 16
FIG 116

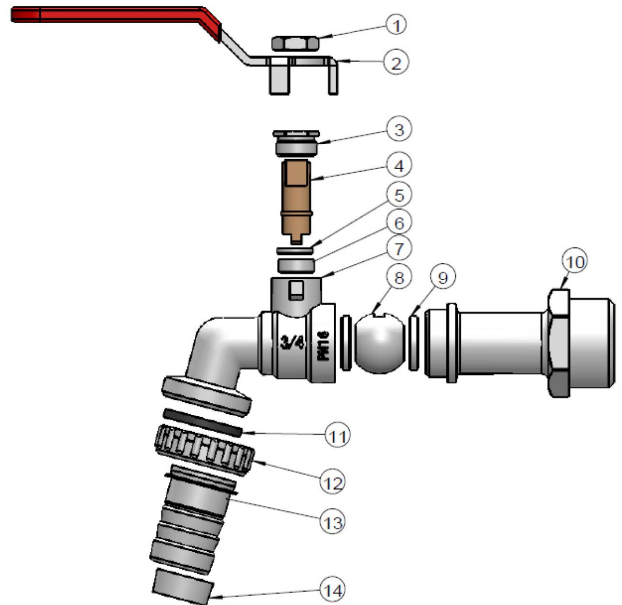
DESIGN FEATURES

- brass bibcock valve 1/2" - 1"
- temp : 0 +60°C
- specifications :
 - flat steel handle
 - PN 16
 - male end, hose coupling with manifold
 - solid ball



MATERIALS

item	Part name	Material
1	handle nut	steel
2	handle	steel
3	packing nut	brass
4	stem	brass
5	ring	brass
6	packing	PTFE
7	body	brass
8	ball	brass
9	seat	PTFE
10	bonnet	brass
11	gasket	NBR
12	nut	brass
13	hose coupling	brass
14	manifold	PE



SIZE (in mm)

DN		1/2"	3/4"	3/4"	1"
DN1		3/4"	3/4"	1"	5/4"
T		19	19	20,5	
P		10	10	12	
L		55	61	66,5	
E		84,5	84,5	84,5	
H		41,8	41,8	42,6	
kg		0,175	0,204	0,278	
ref.		250027	116.05	250028	250029

