

Weyn-Lauwers N.V.

Industriepark-Noord 12
B - 9100 SINT-NIKLAAS

Tel. : 00 32 (0)3 776.34.13
Fax : 00 32 (0)3 778.09.52
weynlauwers@weynlauwers.be
www.weynlauwers.be

BIBCOCK BALL VALVE STAINLESS STEEL PN 16 - FIG 119

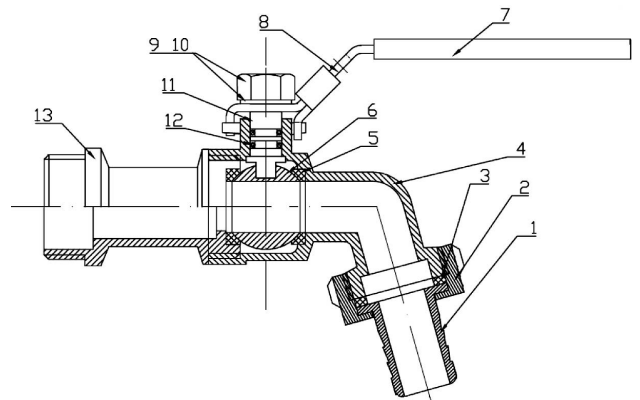
DESIGN FEATURES

- **stainless steel** bibcock ball valve 1/2" - 3/4"
- temp : -10°C +150°C
- specifications :
 - anti blow-out stem
 - locking device
 - PN 16
 - male end, hose coupling
 - solid ball
 - stem seal with 2 O-rings
 - stainless steel handle



MATERIALS

item	Part name	Material
1	hose	SS 316
2	hose nut	SS 316
3	gasket	NBR
4	body	SS 316
5	seat	PTFE
6	ball	SS 316
7	handle cover	plastic
8	handle	SS 304
9	washer	SS 304
10	nut	SS 304
11	stem	SS 316
12	O-ring	NBR
13	Take-over	SS 316



SIZE (in mm)

DN		1/2"	3/4"
B		3/4"	3/4"
G		19	19
D		9,2	12,8
F		6	6
E		92	92
H		90	90
L		145	155
kg		0,22	0,29
ref.		119.04	119.05

