

**Weyn-Lauwers** N.V.

Industriepark-Noord 12  
B - 9100 SINT-NIKLAAS

Tel. : 00 32 (0)3 776.34.13  
Fax : 00 32 (0)3 778.09.52  
weynlauwers@weynlauwers.be  
www.weynlauwers.be

**BALL VALVE**  
**BSP**  
**1-pc AISI 316**  
**FIG 170T**

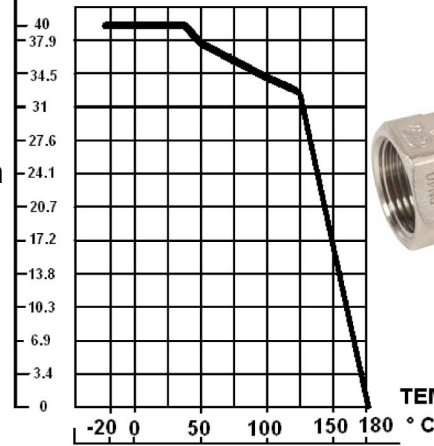
**DESIGN FEATURES**

- 1-PC ball valve 1/4"-2"
- threaded BSP
- min. temp : -20°C
- max. temp : +180°C
- specifications : anti-blow out stem  
Locking device  
reduced bore

**USE**

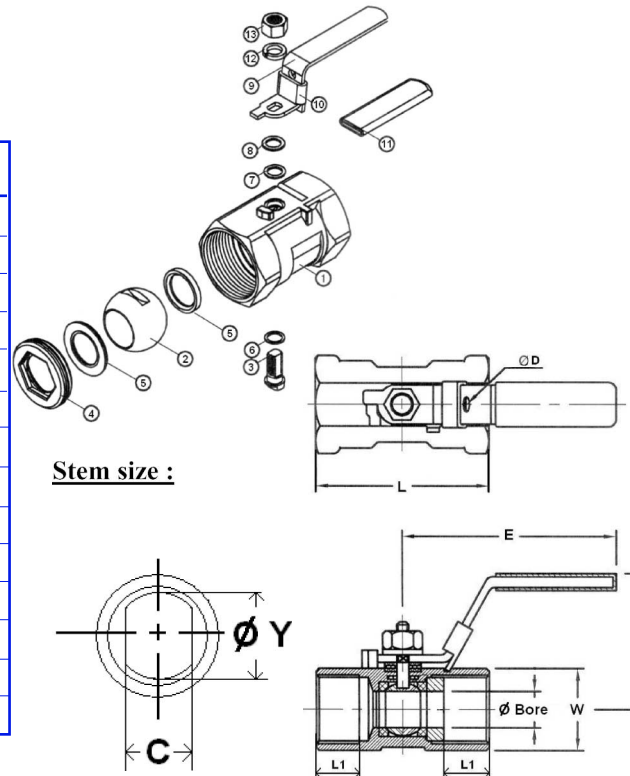
- for all common fluids
- max. pressure : up to 40 bar

PRESSURE  
BAR



**MATERIALS**

item	Part name	Material
1	body	SS 316
2	ball	SS 316
3	stem	SS 316
4	insert	SS 316
5	seat	PTFE
6	stem packing	PTFE
7	trust washer	PTFE
8	gland	SS 304
9	handle	SS 304
10	locking device	SS 304
11	handle cover	Plastic
12	handle washer	SS 304
13	handle nut	SS 304



Stem size :

**SIZE (in mm)**

DN	1/4"	3/8"	1/2"	3/4"	1"	1 1/4"	1 1/2"	2"			
bore	5	6,8	9	12,5	16	20	25	32			
L	39	44	56,5	58,5	71	78	83	100			
D	6	6	8	8	8	8	8	8			
E	62	62,5	96	96	101	101	135	135			
H	31	35,5	40	44	50	54	70	75			
L1	9,5	10,5	14	15	17	19	20	23			
W	17	21	25	32	38	48	53	64			
C	3	4	5	5	6	6	8	8			
Y	4,6	6	7	7	9	9	11,5	11,5			
kg	0,06	0,10	0,19	0,26	0,41	0,62	0,84	1,33			
ref.	204270	204271	204272	204273	204274	204275	204276	204277			