

Weyn-Lauwers N.V.

Industriepark-Noord 12
B - 9100 SINT-NIKLAAS

Tel. : 00 32 (0)3 776.34.13
Fax : 00 32 (0)3 778.09.52
weynlauwers@weynlauwers.be
www.weynlauwers.be

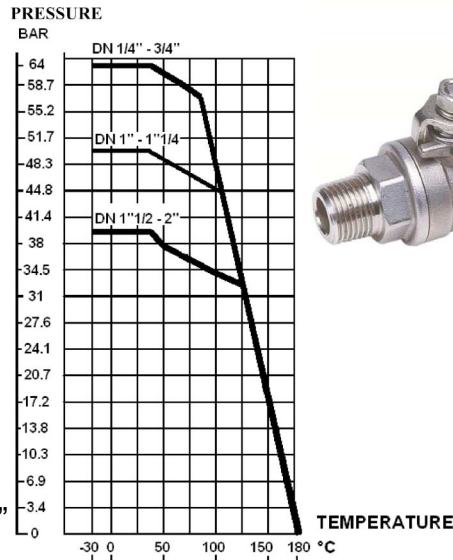
BALL VALVE
BSP - REDUCED BORE
2-pc AISI 316
FIG 171MF

DESIGN FEATURES

- 2-PC ball valve 1/4"-2"
- threaded BSP MF
- min. temp : -30°C
- max. temp : +180°C
- specifications : anti-blow out stem
Locking device
reduced bore

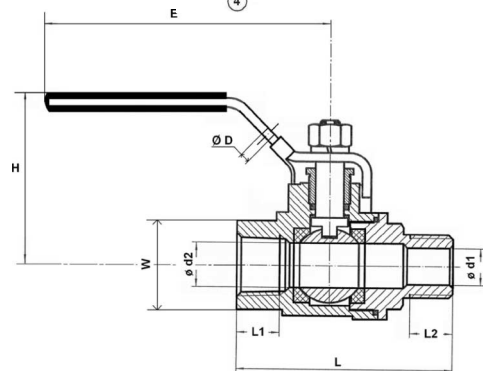
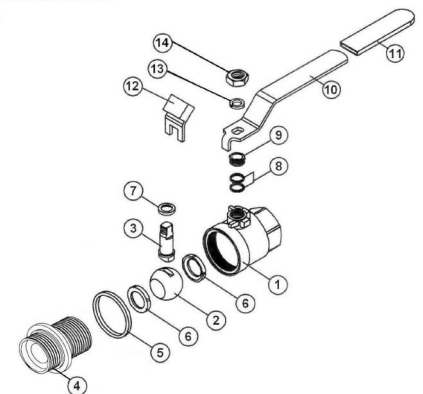
USE

- for all common fluids
- max. pressure : 64 bar up to 3/4"
- 50 bar from 1"-1 1/4"
- 40 bar from 1 1/2" - 2"



MATERIALS

item	Part name	Material
1	body	ASTM A351 CF8M
2	ball	ASTM A351 CF8M
3	stem	SS 316
4	bonnet	ASTM A351 CF8M
5	body seal	PTFE
6	seat	PTFE filled with 15 % glass
7	stem gasket	PTFE
8	packing	PTFE
9	packing nut	SS 304
10	handle	SS 304
11	handle cover	Plastic
12	locking device	SS 304
13	handle washer	SS 304
14	handle nut	SS 304



SIZE (in mm)

DN	1/4"	3/8"	1/2"	3/4"	1"	1 1/4"	1 1/2"	2"			
d1	7,5	8,5	12,5	17,5	23,6	30,8	36,6	47,5			
d2	9,2	12,5	15	20	25	32	38	49			
L	62,5	63,5	74	82	98,5	112	126	151			
D	8	8	8	8	8	8	8	8			
E	81	81	100	100	148	148	190	190			
H	47,8	52	56,5	58,5	74	78	92	103			
L1	10	12	13,5	16	16,5	19	19	22			
L2	10,6	11,2	14,7	16,2	19	21,5	21,5	25,8			
W on flat	22	22	26	32	38	48	54	68			
kg	0,275	0,27	0,38	0,55	0,81	1,32	1,98	3,26			
ref.	171MF02	171MF03	171MF04	171MF05	171MF06	171MF07	171MF08	171MF09			