

**Weyn-Lauwers** N.V.

Industriepark-Noord 12  
B - 9100 SINT-NIKLAAS

Tel. : 00 32 (0)3 776.34.13  
Fax : 00 32 (0)3 778.09.52  
weynlauwers@weynlauwers.be  
www.weynlauwers.be

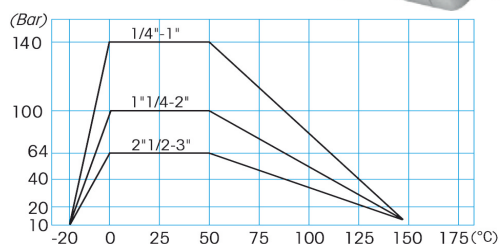
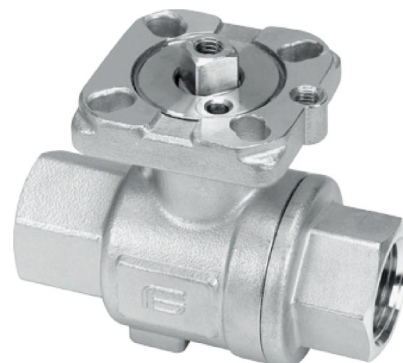
**BALL VALVE  
BSP - FULL BORE  
2-pc AISI 316  
FIG 171VEGA**

**DESIGN FEATURES**

- 2-PC ball valve 1/4"-3"
- threaded BSP
- min. temp : -20°C
- max. temp : +150°C
- specifications : anti-blow out stem  
mounting plate iso 5211  
Full bore  
atex Ex on request

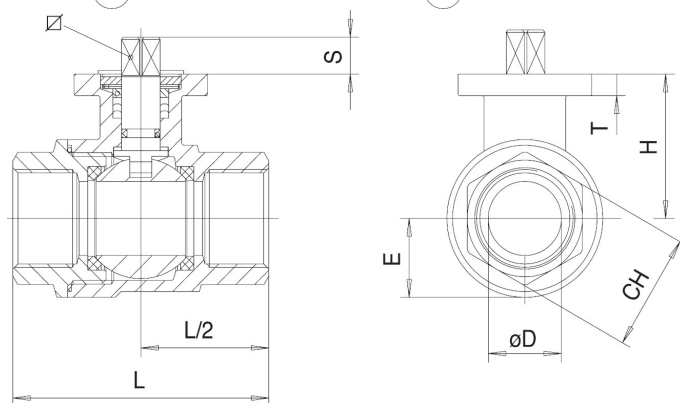
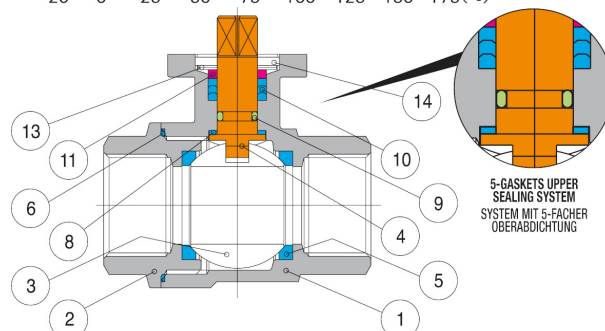
**USE**

- for all common fluids
- max. pressure : 140 bar up to 1"  
100 bar from 1 1/4" - 2"  
64 bar from 2 1/2" - 3"



**MATERIALS**

item	Part name	Material
1	body	ASTM A351 CF8M
2	female ends	ASTM A351 CF8M
3	ball	SS 316
4	stem	SS 316
5	seat	RPTFE
6	side sealing ring	PTFE
8	upper sealing ring	PTFE
9	stem O-ring	VITON
10	upper seal	PTFE
11	gland washer	SS 304
13	belleville washers	SS 301
14	locking disc	SS 304



**SIZE (in mm)**

DN	1/4"	3/8"	1/2"	3/4"	1"	1 1/4"	1 1/2"	2"	2 1/2"	3"
D	11,5	12,7	15	20	25	32	40	50	65	80
E	19,5	19,5	19,5	22	27	33	39	48	60	70
H	42	42	42	45	52	58	68	77	99	111
L	65	65	75	80	90	110	120	140	185	205
CH	27	27	27	33	41	50	58	70	87	104
S	7	7	7	9	12	12	16	16	19	19
T	9,5	9,5	9,5	9,5	10	10	13	13	13	13
stem	9	9	9	9	11	11	14	14	17	17
iso5211	F03-F04	F03-F04	F03-F04	F03-F04	F04-F05	F04-F05	F05-F07	F05-F07	F07-F10	F07-F10
Kv	11	11	20	60	100	130	170	280	510	770
ref.	204180	204181	204182	204183	204184	204185	204186	204187	204188	204189