



**Weyn-Lauwers** N.V.

Industriepark-Noord 12  
B - 9100 SINT-NIKLAAS

Tel. : 00 32 (0)3 776.34.13  
Fax : 00 32 (0)3 778.09.52  
weynlauwers@weynlauwers.be  
www.weynlauwers.be

**BALL VALVE  
PN16 - FULL BORE  
STAINLESS STEEL  
FIG 174 DN15-DN50**

**DESIGN FEATURES**

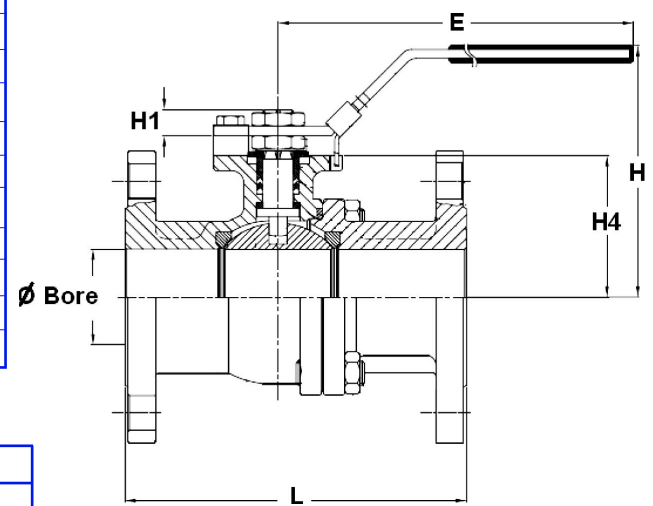
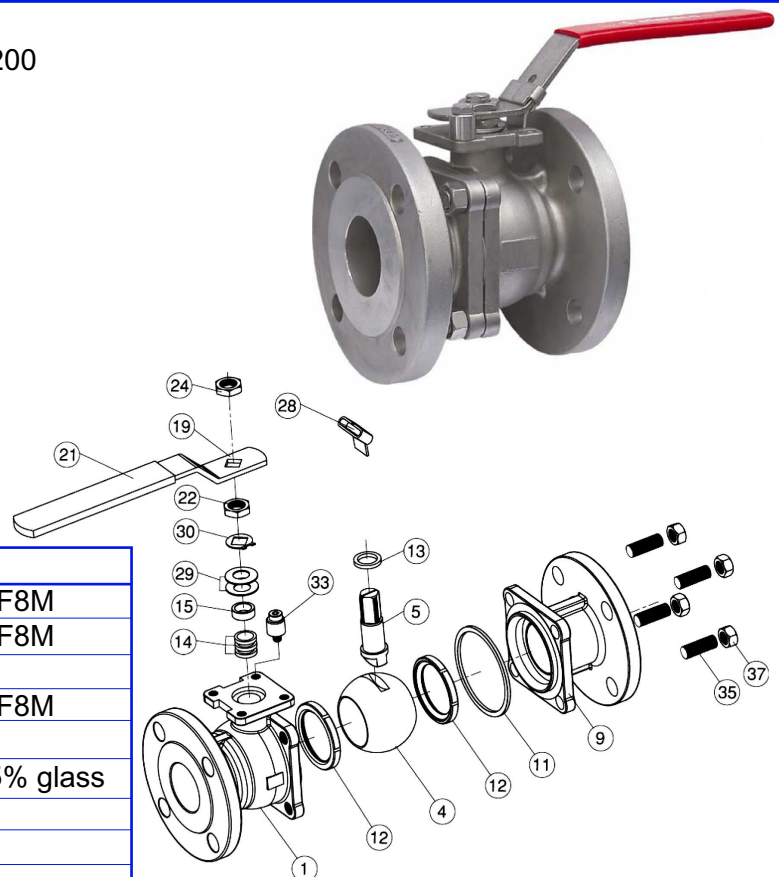
- 2-PC stainless steel ball valve DN15 - DN200
- Flanges acc. DIN2501 PN16
- min. : -30°C +180°C
- face to face acc. DIN3202 F4/F5
- specifications :
  - anti-blow out stem
  - locking device / full bore
  - Atex
  - mounting pad acc. ISO 5211

**USE**

- for all common fluids
- max. pressure : up to 16 bar

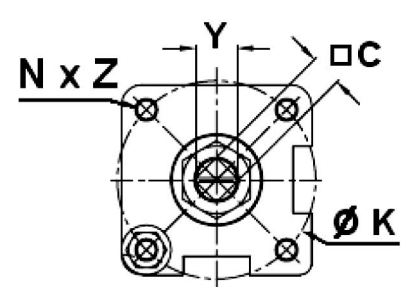
**MATERIALS**

item	Part name	Material
1	Body	ASTM A351 CF8M
4	Ball	ASTM A351 CF8M
5	stem	SS 316
9	ends	ASTM A351 CF8M
11	body seal	PTFE
12	seat	PTFE filled with 15% glass
13	trust washer	PTFE
14	stem packing	PTFE
15	gland bush	SS 304
19	handle	SS 304
21	handle cover	plastic
22	stem nut	SS 304
24	handle nut	SS 304
28	locking pad	SS 304
29	elastic washer	SS 301
30	tab washer	SS 304
33	stop pin	SS 304
35	body bolt	ASTM A193 Gr. B8
37	bolt nut	ASTM A194 Gr.8



**SIZE (in mm)**

DN	15	20	25	32	40	50
bore	15	20	25	32	38	50
L	115	120	125	130	140	150
E	132	132	166	166	198	198
H	80	84,5	102	105	125	132
H1	8,5	8,5	12	12	12	12
H4	38,5	42,5	52	56	65,3	73,8
C	9	9	11	11	14	14
Y	11,2	11,2	14,3	14,3	18	18
ISO5211	F04	F04	F05	F05	F07	F07
K	42	42	50	50	70	70
N x Z	4 x M5	4 x M5	4 x M6	4 x M6	4 x M8	4 x M8
kg	2,2	2,85	3,85	5,28	7,0	9,3
ref.	204670	204671	204672	204673	204674	204675





**Weyn-Lauwers** N.V.

Industriepark-Noord 12  
B - 9100 SINT-NIKLAAS

Tel. : 00 32 (0)3 776.34.13  
Fax : 00 32 (0)3 778.09.52  
weynlauwers@weynlauwers.be  
www.weynlauwers.be

**BALL VALVE  
PN16 - FULL BORE  
STAINLESS STEEL  
FIG 174 DN65-DN150**

**DESIGN FEATURES**

- 2-PC stainless steel ball valve DN15 - DN200
- Flanges acc. DIN2501 PN16
- min. : -30°C +180°C
- face to face acc. DIN3202 F4/F5
- specifications :
  - anti-blow out stem
  - locking device / full bore
  - Atex
  - mounting pad acc. ISO 5211

**USE**

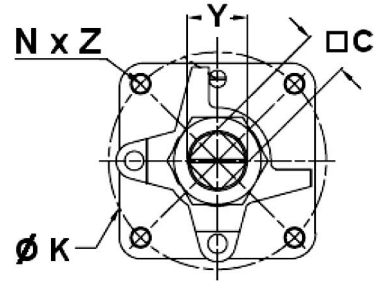
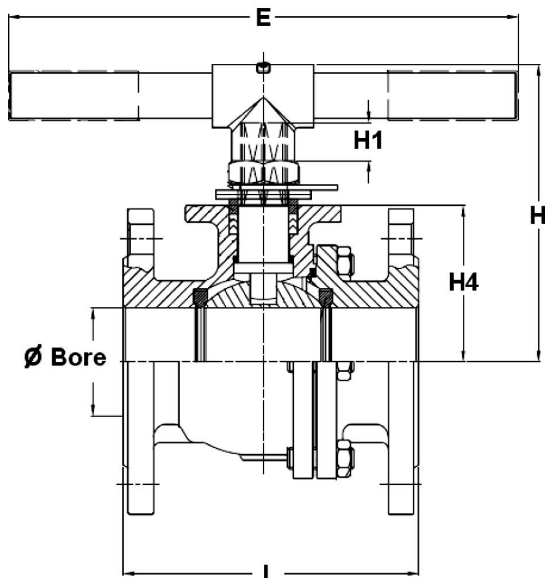
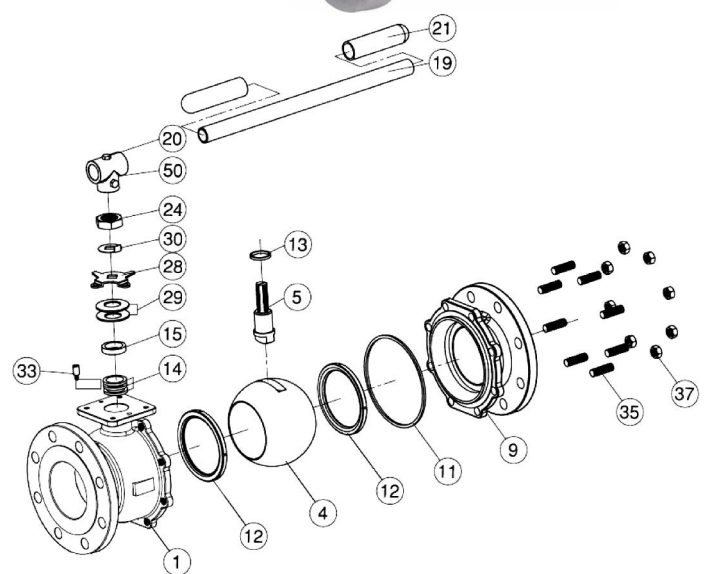
- for all common fluids
- max. pressure : up to 16 bar

**MATERIALS**

item	Part name	Material
1	Body	ASTM A351 CF8M
4	Ball	ASTM A351 CF8M
5	stem	SS 316
9	ends	ASTM A351 CF8M
11	body seal	PTFE
12	seat	PTFE filled with 15% glass
13	trust washer	PTFE
14	stem packing	PTFE
15	gland bush	SS 304
19	handle	LRON
20	set bolt	SS 304
21	handle cover	plastic
24	handle nut	SS 304
28	stop plate	SS 304
29	elastic washer	SS 301
30	tab washer	SS 304
33	stop pin	SS 304
35	body bolt	ASTM A193 Gr. B8
37	bolt nut	ASTM A194 Gr. 8
50	handle adapter	SS 304

**SIZE (in mm)**

DN	65	80	100	125	150
bore	64	76	100	125	150
L	170	180	190	325	350
E	300	300	450	600	800
H	178	188	202	233	259
H1	23	23	23	45	45
H4	92,5	101,7	119	163	182,5
C	17	17	17	27	27
Y	22,3	22,3	22,3	36	36
ISO5211	F10	F10	F10	F12	F12
K	102	102	102	125	125
N x Z	4 x M10	4 x M10	4 x M10	4 x M12	4 x M12
kg	13,8	17,36	23,52	47	65,4
ref.	204676	204677	204678	204679	204680





**Weyn-Lauwers** N.V.

Industriepark-Noord 12  
B - 9100 SINT-NIKLAAS

Tel. : 00 32 (0)3 776.34.13  
Fax : 00 32 (0)3 778.09.52  
weynlauwers@weynlauwers.be  
www.weynlauwers.be

**BALL VALVE  
PN16 - FULL BORE  
STAINLESS STEEL  
FIG 174 DN200**

**DESIGN FEATURES**

- 2-PC stainless steel ball valve DN15 - DN200
- Flanges acc. DIN2501 PN16
- min. : -30°C +180°C
- face to face acc. DIN3202 F4/F5
- specifications :
  - anti-blow out stem
  - locking device / full bore
  - Atex
  - mounting pad acc. ISO 5211

**USE**

- for all common fluids
- max. pressure : up to 16 bar

**MATERIALS**

item	Part name	Material
1	Body	ASTM A351 CF8M
4	Ball	ASTM A351 CF8M
5	stem	SS 316
9	ends	ASTM A351 CF8M
11	body seal	PTFE
12	seat	PTFE filled with 15% glass
13	trust washer	PTFE
14	stem packing	PTFE
15	gland	ASTM A216 WCB
15-1	gland bush	SS 304
19	handle	LRON
20	set bolt	SS 304
21	handle cover	plastic
28	stop plate	SS 304
35	body bolt	ASTM A193 Gr. B8
37	bolt nut	ASTM A194 Gr. 8
41	snap ring	SS 304
42	gland bolt	SS 304
50	handle adapter	SS 304

**SIZE (in mm)**

<b>DN</b>	<b>200</b>				
bore	200				
L	400				
E	839,3				
H	363				
H1	43,5				
H4	251,5				
C	36				
Y	-				
ISO5211	F14				
K	140				
N x Z	4 x M16				
kg	136				
ref.	204681				

