

**Weyn-Lauwers** N.V.

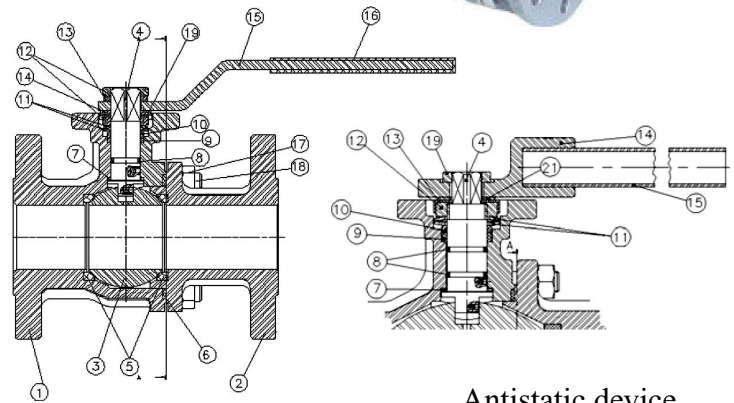
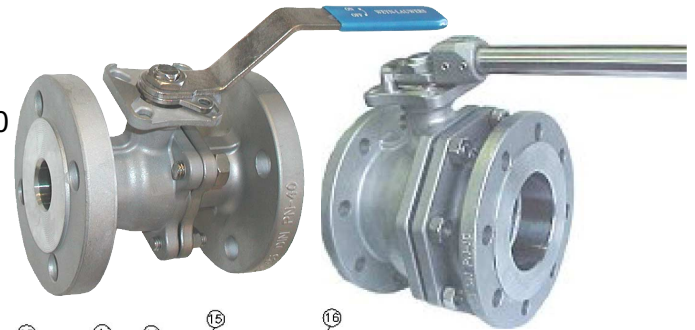
Industriepark-Noord 12  
B - 9100 SINT-NIKLAAS

Tel. : 00 32 (0)3 776.34.13  
Fax : 00 32 (0)3 778.09.52  
weynlauwers@weynlauwers.be  
www.weynlauwers.be

**BALL VALVE**  
**PN16/40 - FULL BORE**  
**SS316**  
**FIG 175**

### DESIGN FEATURES

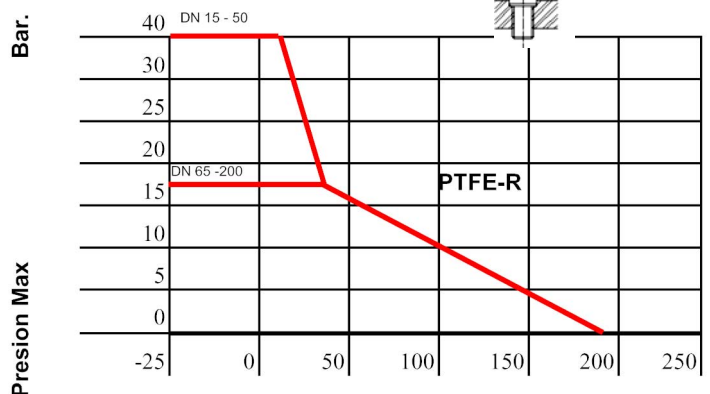
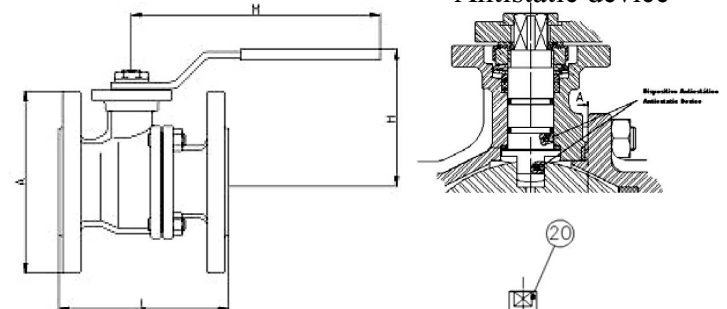
- 2-PC ball valve DN15 - DN200
- Flanges acc. DIN2501 : PN40 for DN15 to DN 50  
PN16 for DN 65 to DN200
- min. : -30°C +180°C
- face to face acc. DIN3202 F4/F5
- specifications :
  - anti-blow out stem
  - block system
  - Full bore
  - direct mounting pad acc. ISO 5211
  - fire-safe design
  - anti-static device



### MATERIALS

item	Part name	Material
1	body	1.4408 (CF8M)
2	cap	1.4408 (CF8M)
3	ball	SS 316
4	stem	SS 316
5	seat ball	PTFE + 15 % G.F.
6	gasket	SS + graphite
7	stem packing	PTFE + graphite
8	O-ring	viton
9	stem packing	PTFE
10	stem ring	SS 316
11	spring washer	SS 301
12	nut	SS 316
13	washer	SS 304
14	stopper	SS 304
14 (dn65-200)	body handle	SS 304
15	handle	SS 304
16	handle sleeve	Vynil
17	nut	SS 316
18	stud bolt	SS 316
19	lock washer	SS 304
20	stopper	SS 304
21	lock washer	SS 304

Antistatic device



### SIZE (in mm)

DN	15	20	25	32	40	50	65	80	100	125	150	200
PN	40	40	40	40	40	40	16	16	16	16	16	16
A	95	105	116	140	150	165	185	200	220	250	285	340
H	85	85	95	106	110	118	170	170	170	200	250	300
L	115	120	125	130	140	150	170	180	190	325	350	400
M	170	170	170	170	200	200	240	240	240	450	550	550
ISO5211	F04	F04/F05	F04/F05	F05/F07	F05/F07	F05/F07	F07/F10	F07/F10	F07/F10	F10/F12	F10/F12	F12
kg	2,2	3,05	3,75	5,75	7,0	9,5	14,75	18,85	26,25	43,65	60,85	106,7
ref.	204300	204301	204302	204303	204304	204305	204306	204307	204308	204309	204310	204311