

**Weyn-Lauwers** N.V.

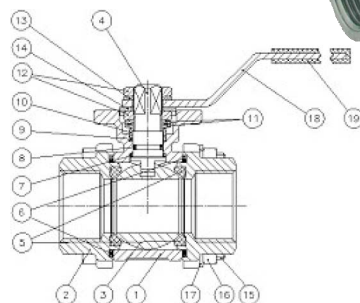
Industriepark-Noord 12  
B - 9100 SINT-NIKLAAS

Tel. : 00 32 (0)3 776.34.13  
Fax : 00 32 (0)3 778.09.52  
weynlauwers@weynlauwers.be  
www.weynlauwers.be

**BALL VALVE**  
**BSP - FULL BORE**  
**3-pc AISI 316**  
**FIG 177G**

**DESIGN FEATURES**

- 3-PC ball valve 1/4"-4"
- threaded BSP acc. DIN2999
- min. temp : -30'C
- max. temp : +180'C
- specifications :
  - anti-blow out stem
  - Locking device
  - Full bore
  - direct mounting pad acc. ISO 5211

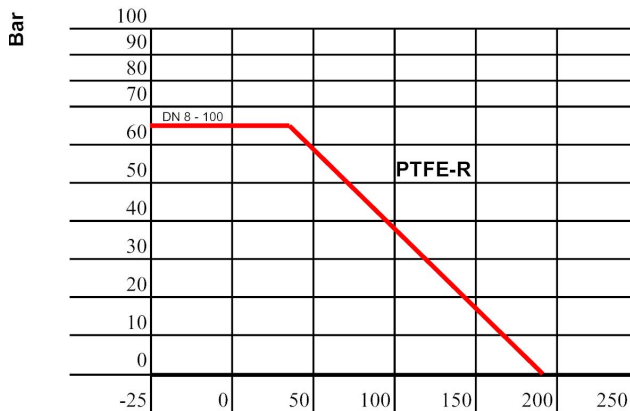
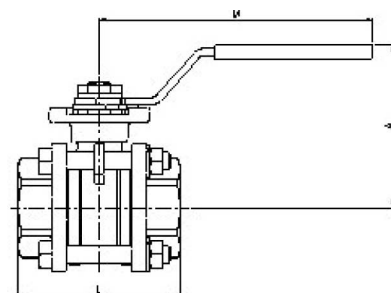


**USE**

- for all common fluids
- max. pressure : up to 63 bar

**MATERIALS**

item	Part name	Material
1	body	SS 316
2	ends	SS 316
3	ball	SS 316
4	stem	SS 316
5	ball seats	PTFE filled with 15 % glass
6	gasket	PTFE + graphite
7	trust washer	PTFE + graphite
8	O-ring	viton
9	stem packing	PTFE
10	stem ring	SS 316
11	spring washer	SS 304
12	nut	SS 304
13	washer	SS 304
14	stopper	SS 304
15	bolt	SS 304
16	nut	SS 304
17	bolt washer	SS 304
18	handle	SS 304
19	handle sleeve	vynil



**SIZE (in mm)**

DN	1/4"	3/8"	1/2"	3/4"	1"	1 1/4"	1 1/2"	2"	2 1/2"	3"	4"
bore	11,6	12,7	15	20	25	32	38	50	63,5	76	97
A	60	60	60	70	70	88	94	100	150	165	175
L	49,6	49,6	56	73	82	91	104	120	155	182	225
M	112	112	112	138	138	160	205	205	330	330	340
ISO5211	F03	F03	F04	F04/05	F04/05	F05/07	F05/07	F05/07	F07/10	F07/10	F07/10
kg	0,39	0,38	0,44	0,82	1,02	1,79	2,46	3,47	8,50	12,40	21,35
ref.	205285	205286	205287	205288	205289	205290	205291	205292	205293	205294	205295