

Weyn-Lauwers N.V.

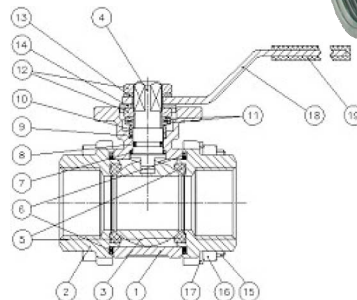
Industriepark-Noord 12
B - 9100 SINT-NIKLAAS

Tel. : 00 32 (0)3 776.34.13
Fax : 00 32 (0)3 778.09.52
weynlauwers@weynlauwers.be
www.weynlauwers.be

BALL VALVE
BSP - FULL BORE
3-pc AISI 316
FIG 177NPT

DESIGN FEATURES

- 3-PC ball valve 1/4"-4"
- **threaded NPT**
- min. temp : -30°C
- max. temp : +180°C
- specifications :
 - anti-blow out stem
 - Locking device
 - Full bore
 - direct mounting pad
 - acc. ISO 5211

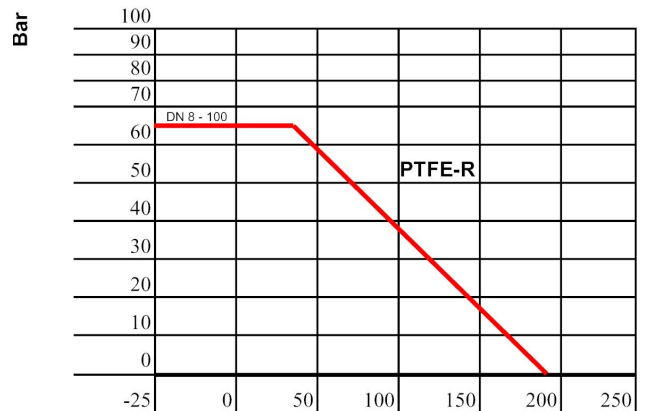
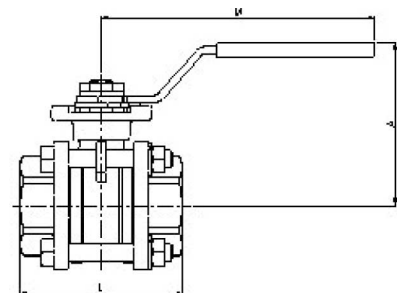


USE

- for all common fluids
- max. pressure : up to 63 bar

MATERIALS

item	Part name	Material
1	body	SS 316
2	ends	SS 316
3	ball	SS 316
4	stem	SS 316
5	ball seats	PTFE filled with 15 % glass
6	gasket	PTFE + graphite
7	trust washer	PTFE + graphite
8	O-ring	viton
9	stem packing	PTFE
10	stem ring	SS 316
11	spring washer	SS 304
12	nut	SS 304
13	washer	SS 304
14	stopper	SS 304
15	bolt	SS 304
16	nut	SS 304
17	bolt washer	SS 304
18	handle	SS 304
19	handle sleeve	vynil



SIZE (in mm)

DN	1/4"	3/8"	1/2"	3/4"	1"	1 1/4"	1 1/2"	2"	2 1/2"	3"	4"
bore	11,6	12,7	15	20	25	32	38	50	63,5	76	97
A	60	60	60	70	70	88	94	100	150	165	175
L	49,6	49,6	56	73	82	91	104	120	155	182	225
M	112	112	112	138	138	160	205	205	330	330	340
ISO5211	F03	F03	F04	F04/05	F04/05	F05/07	F05/07	F05/07	F07/10	F07/10	F07/10
kg	0,39	0,38	0,44	0,82	1,02	1,79	2,46	3,47	8,50	12,40	21,35
ref.	177NPT02	177NPT03	177NPT04	177NPT05	177NPT06	177NPT07	177NPT08	177NPT09	177NPT10	177NPT11	177NPT12