

Weyn-Lauwers N.V.

Industriepark-Noord 12
B - 9100 SINT-NIKLAAS

Tel. : 00 32 (0)3 776.34.13
Fax : 00 32 (0)3 778.09.52
weynlauwers@weynlauwers.be
www.weynlauwers.be

**BALL VALVE
SW - FULL BORE
3-pc AISI 316
FIG 178SW**

DESIGN FEATURES

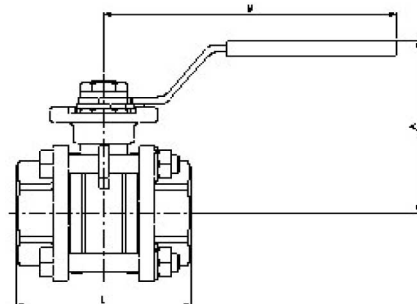
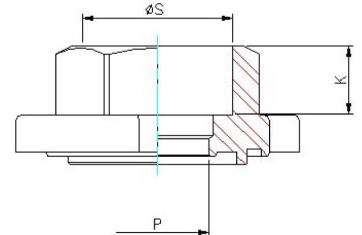
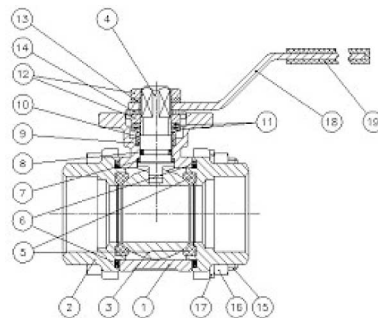
- 3-PC ball valve 1/4"-4"
- **Socket welding ends** acc. ANSI B16.11
- min. temp : -30'C
- max. temp : +180'C
- specifications :
 - anti-blow out stem
 - Locking device
 - Full bore
 - direct mounting pad acc. ISO 5211

USE

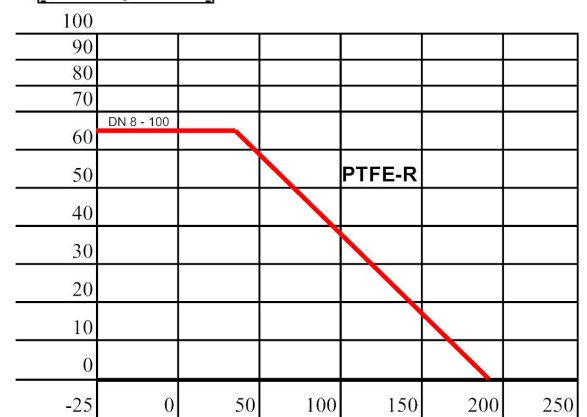
- for all common fluids
- max. pressure : up to 63 bar

MATERIALS

item	Part name	Material
1	body	SS 316
2	ends	SS 316
3	ball	SS 316
4	stem	SS 316
5	ball seats	PTFE filled with 15 % glass
6	gasket	PTFE + graphite
7	trust washer	PTFE + graphite
8	O-ring	viton
9	stem packing	PTFE
10	stem ring	SS 316
11	spring washer	SS 304
12	nut	SS 304
13	washer	SS 304
14	stopper	SS 304
15	bolt	SS 304
16	nut	SS 304
17	bolt washer	SS 304
18	handle	SS 304
19	handle sleeve	vynil



Bar



SIZE (in mm)

Temperatura °C

DN	1/4"	3/8"	1/2"	3/4"	1"	1 1/4"	1 1/2"	2"	2 1/2"	3"	4"
bore	11,6	12,7	15	20	25	32	38	50	63,5	76	97
P	11	12,7	15	20	25	32	40	50	65	80	100
K	10	10	10	14	14	15	15	19	21	24	25
S	14,1	17,6	21,7	27,1	33,8	42,6	48,7	61,1	73,8	89,8	115,5
A	60	60	60	70	70	88	94	100	150	165	175
L	49,6	49,6	56	73	82	91	104	120	155	182	230
M	112	112	112	138	138	160	205	205	330	330	340
ISO5211	F03	F03	F04	F04/05	F04/05	F05/07	F05/07	F05/07	F07/10	F07/10	F07/10
ref.	178SW02	178SW03	178SW04	178SW05	178SW06	178SW07	178SW08	178SW09	178SW10	178SW11	178SW12