

Weyn-Lauwers N.V.

Industriepark-Noord 12
B - 9100 SINT-NIKLAAS

Tel. : 00 32 (0)3 776.34.13
Fax : 00 32 (0)3 778.09.52
weynlauwers@weynlauwers.be
www.weynlauwers.be

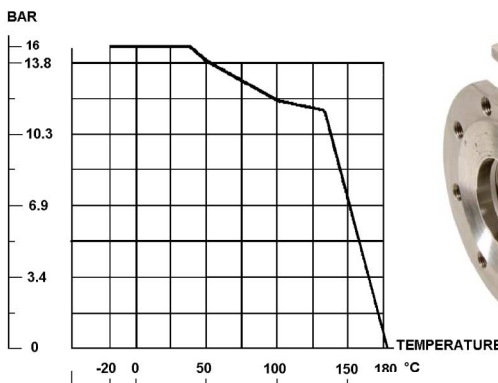
BALL VALVE
PN16 - FULL BORE
SS 316
FIG 181T.3

DESIGN FEATURES

- wafer ball valve DN15 - DN150
- between flanges DIN2501 PN16
- min. : -20°C +180°C
- specifications :
 - anti-blow out stem
 - locking device
 - Full bore
 - mounting pad acc. ISO 521

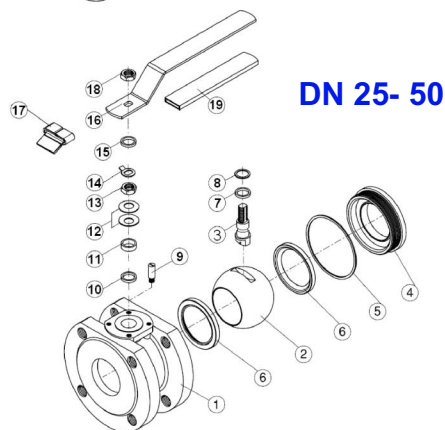
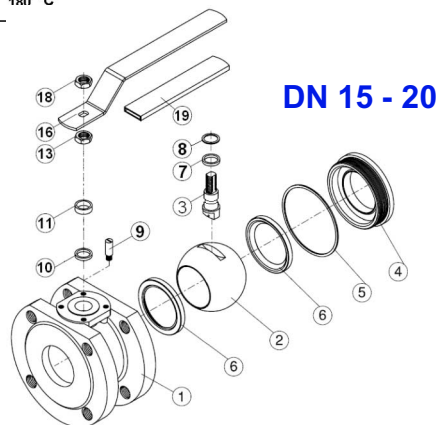
USE

- for all common fluids



MATERIALS

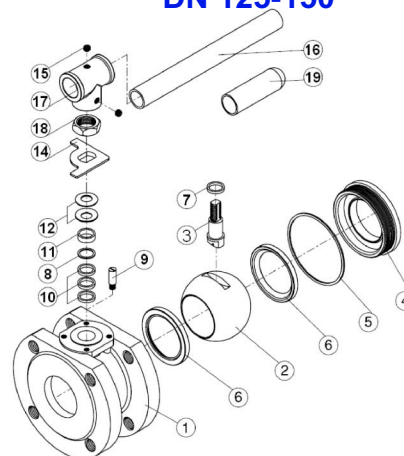
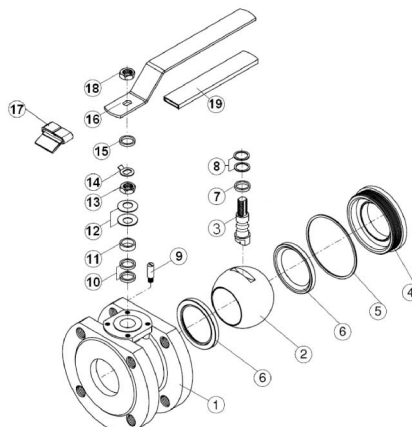
item	Part name	Material
1	body	ASTM A351 CF8M
2	ball	ASTM A351 CF8M
3	stem	SS 304
4	insert	ASTM A351 CF8M
5	body seal	PTFE
6	seat	PTFE + 15 % glass
7	trust washer	PTFE
8 (dn15-100)	O-ring	FKM (viton)
8 (dn125-150)	packing	PTFE
9	stop pin	SS 304
10	packing	PTFE
11	gland	SS 304
12	elastic ring	SS 301
13	gland nut	SS 304
14 (dn25-100)	tab washer	SS 304
14 (dn125-150)	stop plate	SS 304
15 (dn25-100)	washer	SS 304
15 (dn125-150)	handle screw	SS 304
16 (dn15-100)	handle	SS 304
16 (dn125-150)	handle	steel
17 (dn25-100)	locking device	SS 304
17 (dn125-150)	handle adaptor	ASTM A351 CF8
18	handle nut	SS 304
19	handle cover	plastic

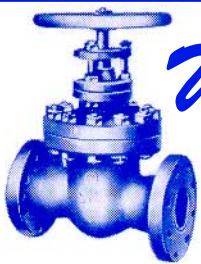
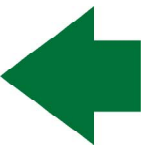


DN 65 - 100

DN 125-150

DN	REF.
15	204615
20	204616
25	204617
32	204618
40	204619
50	204620
65	204621
80	204622
100	204623
125	204624
150	204625





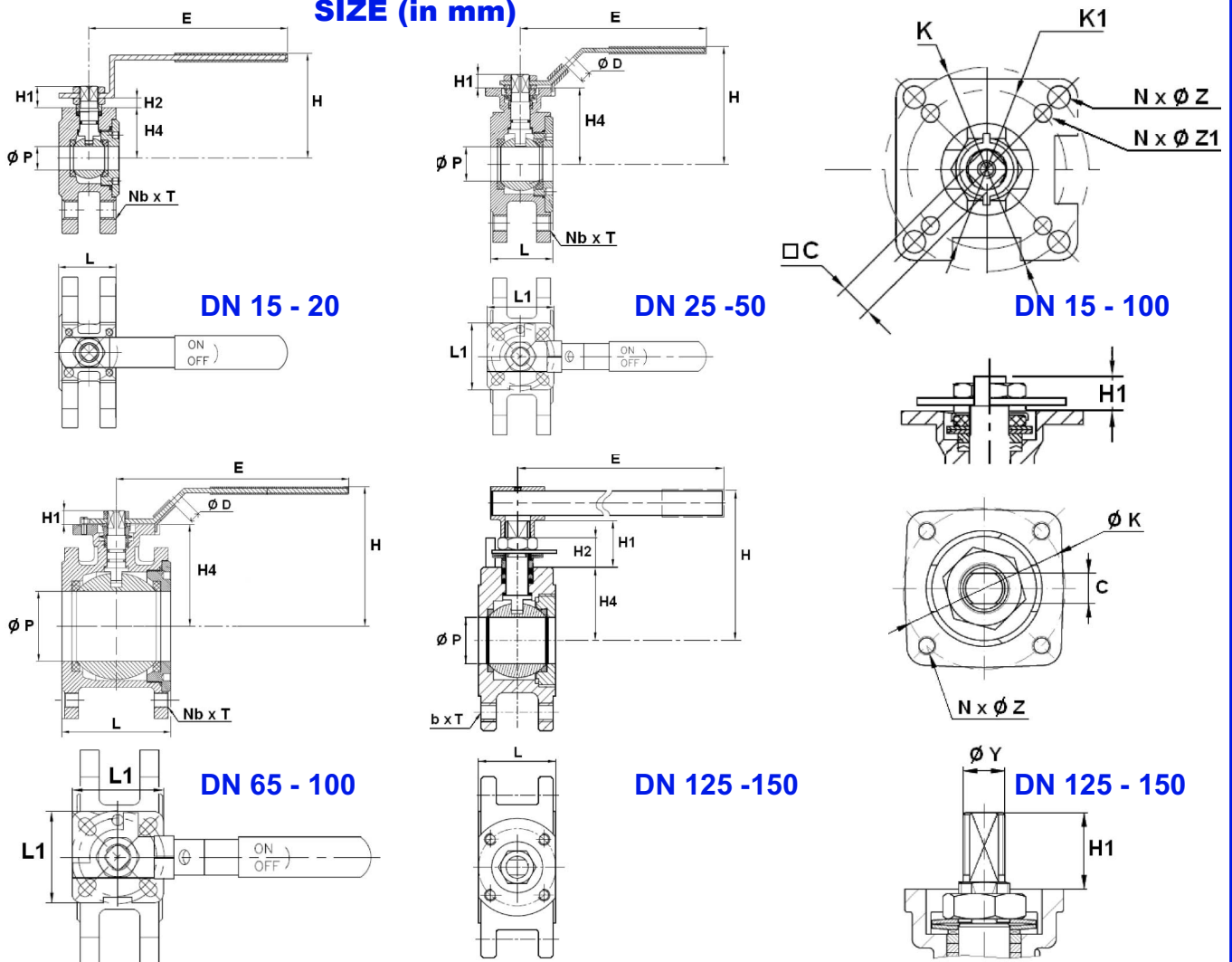
Weyn-Lauwers N.V.

Industriepark-Noord 12
B - 9100 SINT-NIKLAAS

Tel. : 00 32 (0)3 776.34.13
Fax : 00 32 (0)3 778.09.52
weynlauwers@weynlauwers.be
www.weynlauwers.be

**BALL VALVE
PN16 - FULL BORE
SS 316
FIG 181T.3**

SIZE (in mm)



DN	15	20	25	32	40	50	65	80	100	125	150	
P	15	20	25	32	38	50	65	76	94	118	138	
L	35	39	44	52	64	83	100	118	152	179	202	
L1			49	49	65	65	94	94	94			
E	125,2	125,2	136,2	136,2	204,5	204,5	250	250	320	400	600	
H	75	80	95	101,5	122,5	122,5	142	161	174	205	220	
H1	13,5	13,5	12	10	13,5	14	18	18	20,5	50	50	
H2	6	6								31	31	
H4	32	35,5	65	71,5	85	83,5	101	120	130	117	130	
D			8	8	8	8	10	10	10			
Nb x T	4xM12	4xM12	4xM12	4xM16	4xM16	4xM16	4xM16	8xM16	8xM16	8xM16	8xM20	
C	9	9	11	11	14	14	17	17	17	17	17	
Y	12	12	14	14	18	18	20	20	27	28	28	
K	36	36	50	50	70	70	102	102	102	102	125	
K1	36	36	42	42	50	50	70	70	70			
ISO	F03	F03	F05/F04	F05/F04	F07/F05	F07/F05	F10/F07	F10/F07	F01/F07	F10	F12	
N x Z	4 x 5	4 x 5	4 x 7	4 x 7	4 x 9	4 x 9	4 x 11	4 x 11	4 x 11	4 x 10,5	4 x 13	
N x Z1	4 x 5	4 x 5	4 x 6,4	4 x 6,4	4 x 7	4 x 7	4 x 9	4 x 9	4 x 9			
kg	1,1	1,41	1,82	3	4,3	5,9	9	12,5	19,4	30	41	
ref.	204615	204616	204617	204618	204619	204620	204621	204622	204623	204624	204625	