

**Weyn-Lauwers** N.V.

Industriepark-Noord 12  
B - 9100 SINT-NIKLAAS

Tel. : 00 32 (0)3 776.34.13  
Fax : 00 32 (0)3 778.09.52  
weynlauwers@weynlauwers.be  
www.weynlauwers.be

**3-WAY BALL VALVE  
T-PORT - CS  
FIG 191T DN50-DN80**

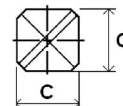
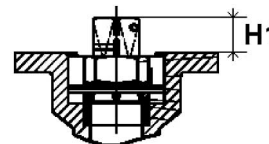
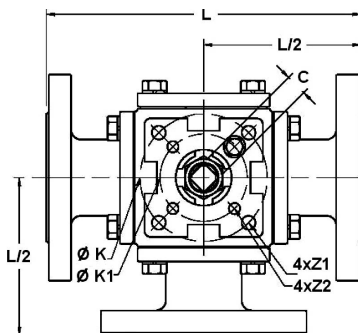
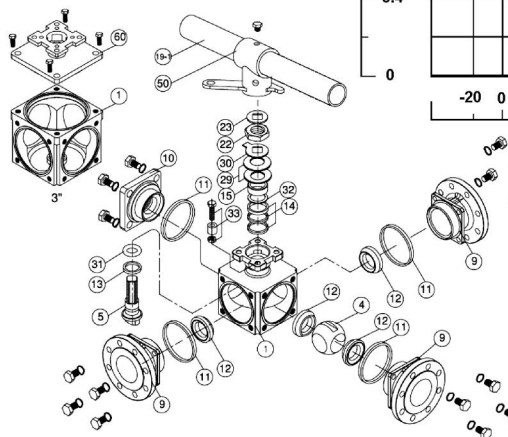
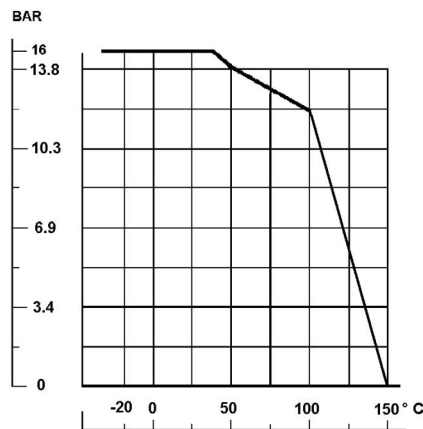
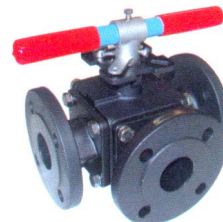
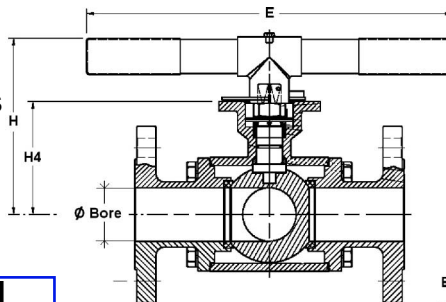
**DESIGN FEATURES**

- carbon steel 3-way ball valve dn50 - dn80 PN16
- temp : -20°C +150°C
- specifications :
  - iso-mounting pad
  - seats PTFE filled with glass
  - anti blow-out stem
  - ATEX
  - tightness on 3 ways

**MATERIALS**

item	Part name	Material
1	body	A216 WCB
4	ball	A351 CF8
5	stem	SS 304
9	ends	A216 WCB
10	blind cap	A216 WCB
11	body seal	PTFE
12	seat	PTFE+15 % G.F.
13	trust washer	PTFE
14	stem packing	PTFE
10	bush	PTFE
15	gland	SS 304
19-1	handle	steel
22	stem nut	SS 304
23	handle washer	SS 304
29	elastic washer	SS 410
30	stop washer	SS 304
31	O-ring	FKM
32	packin follower	RPTFE
33	stop pin	SS 304
35	bolt washer	SS 304
36	bolt	SS 304
50	handle adapter	A351 CF8

DN	50	65	80
bore	49	64	76
L	253	278	292,2
L/2	126,5	139	146,1
E	300	300	300
H	156,6	169	178
H1	17,8	17,5	17,5
H4	105,8	117,3	128
C	17	17	17
4 x Z1	4x11	4x11	4x44
4 x Z2	4x9	4x9	4x9
ISO	F07/F10	F07/F10	F07/F10
kg	19	24	34,5



Position T1	Position T2	Position T3	Position T4	Position T5