

Weyn-Lauwers N.V.

Industriepark-Noord 12
B - 9100 SINT-NIKLAAS

Tel. : 00 32 (0)3 776.34.13
Fax : 00 32 (0)3 778.09.52
weynlauwers@weynlauwers.be
www.weynlauwers.be

**3-WAY BALL VALVE
T-PORT - SS316
FIG 192T DN50-DN80**

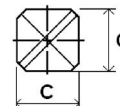
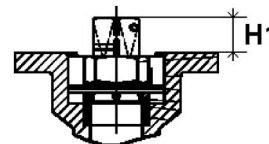
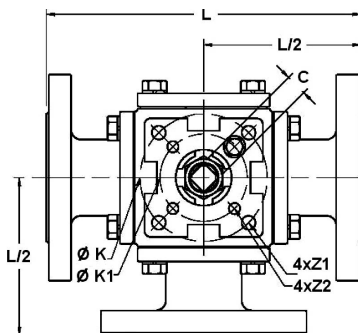
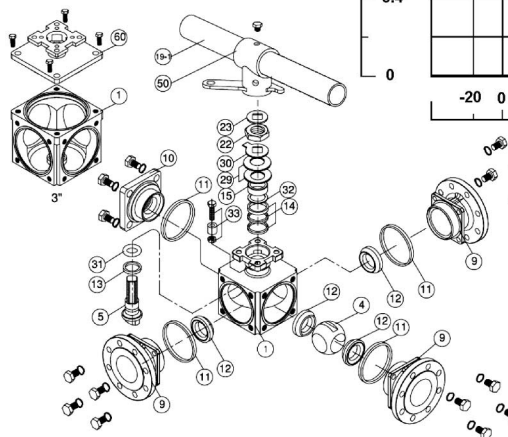
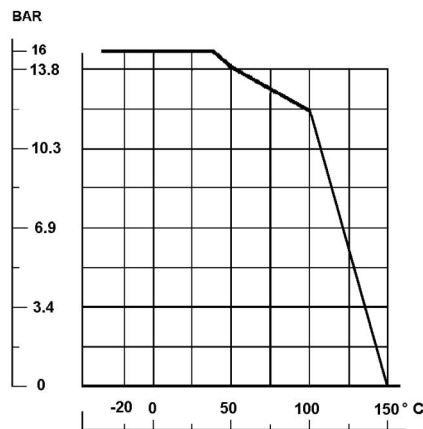
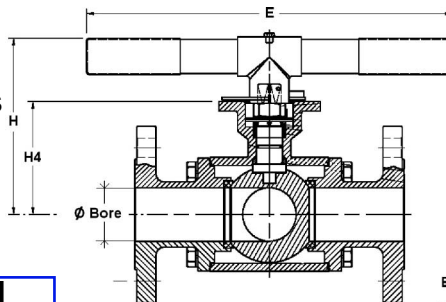
DESIGN FEATURES

- stainless steel 3-way ball valve dn50 - dn80 PN16
- temp : -30°C +150°C
- specifications :
 - iso-mounting pad
 - seats PTFE filled with glass
 - anti blow-out stem
 - ATEX
 - tightness on 3 ways

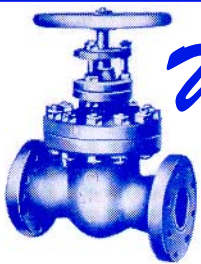
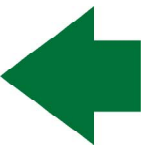
MATERIALS

item	Part name	Material
1	body	A351 CF8M
4	ball	A351 CF8M
5	stem	SS 316
9	ends	A351 CF8M
10	blind cap	A351 CF8M
11	body seal	PTFE
12	seat	PTFE+15 % G.F.
13	trust washer	PTFE
14	stem packing	PTFE
10	bush	PTFE
15	gland	SS 304
19-1	handle	steel
22	stem nut	SS 304
23	handle washer	SS 304
29	elastic washer	SS 410
30	stop washer	SS 304
31	O-ring	FKM
32	packin follower	RPTFE
33	stop pin	SS 304
35	bolt washer	SS 304
36	bolt	SS 304
50	handle adapter	A351 CF8

DN	50	65	80
bore	49	64	76
L	253	278	292,2
L/2	126,5	139	146,1
E	300	300	300
H	156,6	169	178
H1	17,8	17,5	17,5
H4	105,8	117,3	128
C	17	17	17
4 x Z1	4x11	4x11	4x44
4 x Z2	4x9	4x9	4x9
ISO	F07/F10	F07/F10	F07/F10
kg	19	24	34,5
ref.	204835	204836	204837



	Position T1	Position T2	Position T3	Position T4	Position T5



Weyn-Lauwers N.V.

Industriepark-Noord 12
B - 9100 SINT-NIKLAAS

Tel. : 00 32 (0)3 776.34.13
Fax : 00 32 (0)3 778.09.52
weynlauwers@weynlauwers.be
www.weynlauwers.be

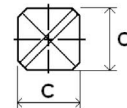
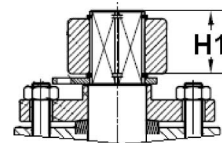
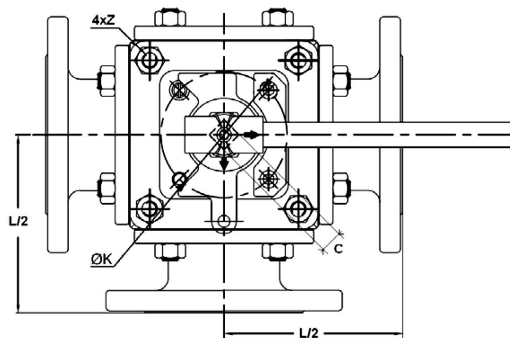
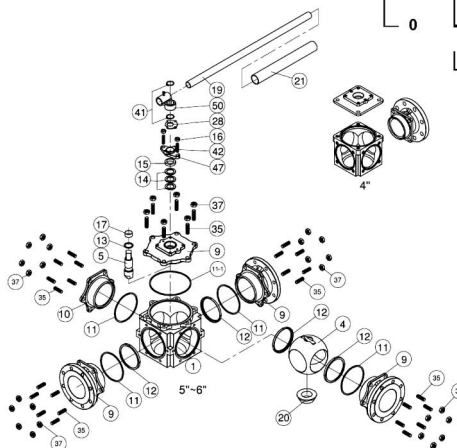
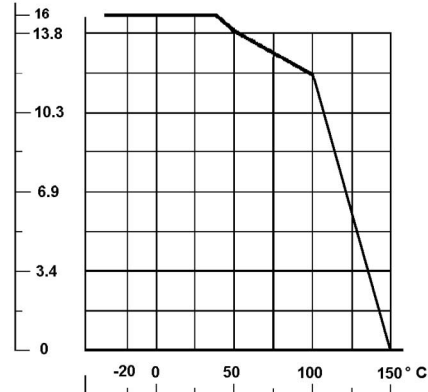
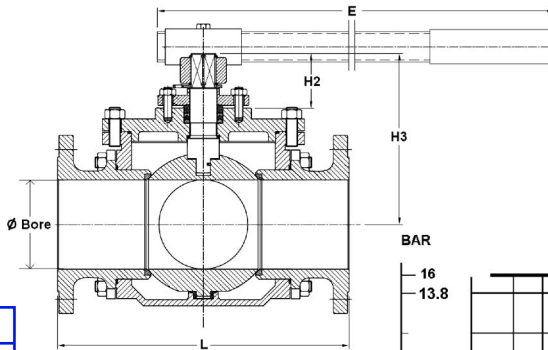
**3-WAY BALL VALVE
T-PORT - SS316
FIG 192T DN100-DN150**

DESIGN FEATURES

- stainless steel 3-way ball valve dn100 - dn150 PN16
- temp : -30°C +150°C
- specifications :
 - iso-mounting pad
 - seats PTFE filled with glass
 - anti blow-out stem
 - ATEX
 - tightness on 3 ways

MATERIALS

item	Part name	Material
1	body	A351 CF8M
4	ball	A351 CF8M
5	stem	SS 316
9	ends	A351 CF8M
10	blind cap	A351 CF8M
11	body seal	PTFE
11-1	top seal	PTFE
12	seat	PTFE+15 % G.F.
13	trust washer	PTFE
14	stem packing	PTFE
15	gland bush	SS 304
16	gland nut	SS 304
17	stem bushing	PTFE
19	handle	steel
20	set bolts	SS 304
21	handle cover	plastic
28	stop plate	SS 304
37	bolt nut	SS 304
41	snap ring	SS 304
42	gland bolt	SS 304
47	gland flange	A351 CF8
50	handle adapter	A351 CF8



DN	100	125	150
bore	99	125	150
L	360	416	473
L/2	180	208	236,5
E	600	600	800
H1	33	33	43,5
H2	70	70	77,5
H3	193	233	266
C	27	27	36
4 x Z	4x12	4x12	4x16
K	125	125	140
ISO	F12	F12	F14
kg	67,4	95	127
ref.	204838	192T13	204839

