



Weyn-Lauwers N.V.

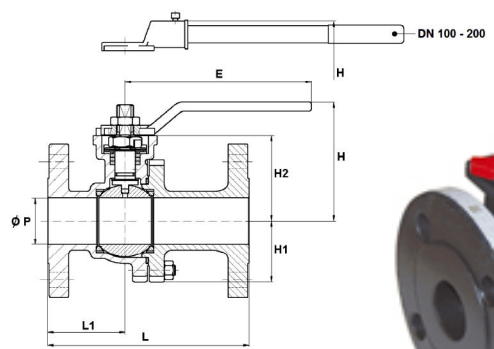
Industriepark-Noord 12
B - 9100 SINT-NIKLAAS

Tel. : 00 32 (0)3 776.34.13
Fax : 00 32 (0)3 778.09.52
weynlauwers@weynlauwers.be
www.weynlauwers.be

**BALL VALVE
FULL BORE
ANSI 150 - A216WCB
FIG 193**

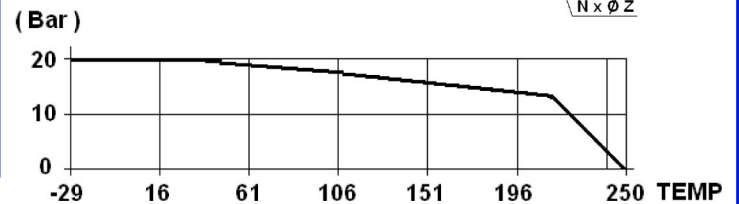
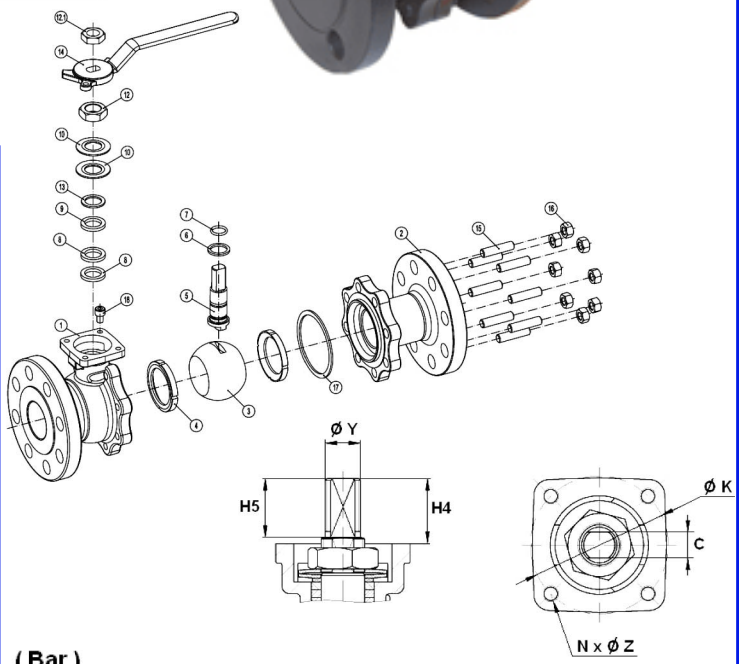
DESIGN FEATURES

- 2-PC ball valve 1/2" - 8" ANSI 150
- Fire safe ISO 10497 - Atex
- specifications :
 - anti-blow out stem
 - locking device
 - Full bore
 - ISO 5211 mounting pad
 - with exhaust hole in the ball
 - anti-static device
- temp : -29°C +250°C
- option : with gearbox



MATERIALS

item	Part name	Material
1	body	ASTM A216 WCB
2	ends	ASTM A216 WCB
3	ball	ASTM A351 CF8M
4	seat	PTFE TFM 1600
5	stem	ASTM A479 SS316
6	stem thrust seal	PTFE + 25% glass
7	stem O-ring	FKM
8	gland packing	graphite
9	gland	SS 303
10	elastic ring	SS 303
12	gland nut	SS 303
12.1	handle nut	SS 303
13	washer	PTFE + 25% glass
14	handle	nodular iron
15	stud	A193 Gr. B7M
16	nut	A194 Gr. 2HM
17	spiralwound gasket	SS316L+PTFE+graph.
18	bolt	A2



SIZE (in mm)

DN	1/2"	3/4"	1"		1 1/2"	2"	2 1/2"	3"	4"		6"	8"
bore	15	20	25		40	50	65	78	100		151	203
L	108	117	127		165	178	190	203	229		394	457
L1	47	50	52		65	61	75	78,5	90		174	209
E	170	170	170		215	215	335	430	466		680	845
H	68	70	86		122,5	127,5	140	190	192,5		259	319
H1	31	33	39		48	63	78	87	108		152	202
H2	41	43	58,5		86,5	91,5	104	118,5	144		203	250
H4	18	18	22		33	33	34	34	45		56	69
H5	11	11	21		32	32	33	33	43,5		54,5	67
C	7	7	8		12	12	15	15	19		24	32
Y	M10	M10	M12		M18	M18	M22	M22	M28		M36	M48
K	50	50	50		70	70	70	102	102		125	140
ISO	F05	F05	F05		F07	F07	F07	F10	F10		F12	F14
N x Z	4xM6	4xM6	4xM6		4xM8	4xM8	4xM8	4xM10	4xM10		4xM12	4xM16
kg	1,7	2,2	2,9		6	8,5	13,3	18,5	29,3		64,5	123,2
ref.	193.04	193.05	193.06		193.08	193.09	193.10	193.11	193.12		193.14	193.16