



**Weyn-Lauwers** N.V.

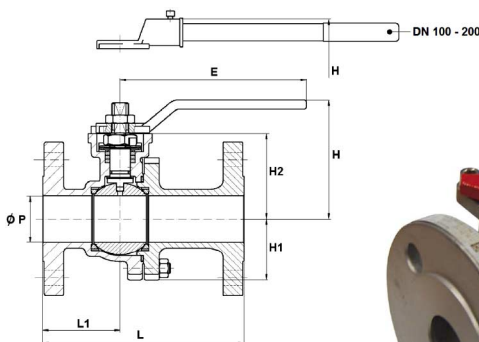
Industriepark-Noord 12  
B - 9100 SINT-NIKLAAS

Tel. : 00 32 (0)3 776.34.13  
Fax : 00 32 (0)3 778.09.52  
weynlauwers@weynlauwers.be  
www.weynlauwers.be

**BALL VALVE  
FULL BORE  
ANSI 300 - SS316  
FIG 196**

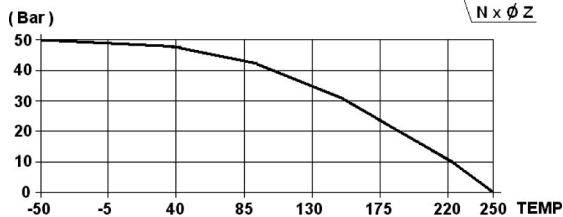
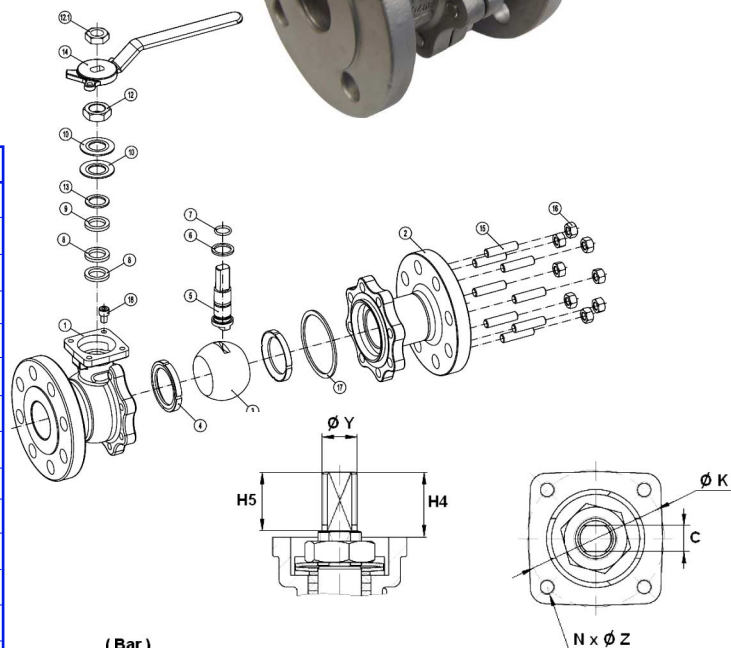
**DESIGN FEATURES**

- 2-PC ball valve 1/2" - 8" ANSI 300
- Fire safe ISO 10497 - Atex
- specifications :
  - anti-blow out stem
  - locking device
  - Full bore
  - ISO 5211 mounting pad
  - with exhaust hole in the ball
  - anti-static device
- temp : -50°C +250°C
- option : with gearbox



**MATERIALS**

item	Part name	Material
1	body	ASTM A351 CF8M
2	ends	ASTM A351 CF8M
3	ball	ASTM A351 CF8M
4	seat	PTFE TFM 1600
5	stem	ASTM A479 SS316
6	stem thrust seal	PTFE + 25% glass
7	stem O-ring	FKM
8	gland packing	graphite
9	gland	SS 303
10	elastic ring	SS 303
12	gland nut	SS 303
12.1	handle nut	SS 303
13	washer	PTFE + 25% glass
14	handle	nodular iron
15	stud	A193 Gr. B8M
16	nut	A194 Gr. 8M
17	spiralwound gasket	SS316L+PTFE+graph.
18	bolt	A2



**SIZE (in mm)**

DN	1/2"	3/4"	1"		1 1/2"	2"		3"	4"		6"	8"
P	15	20	25		40	50		78	100		151	203
L	140	152	165		190	216		283	305		403	502
L1	60	65	70		80	83		118	133		160	239
E	170	170	170		215	215		450	466		775	845
H	68	70	86		122,5	127,5		190	192,5		259	319
H1	31	33	39		48	63		87	108		152	202
H2	41	43	58,5		86,5	91,5		118,5	144		203	250
H4	18	18	22		33	33		34	45		56	69
H5	11	11	21		32	32		33	43,5		54,5	67
C	7	7	8		12	12		15	19		24	32
Y	M10	M10	M10		M12	M18		M22	M28		M36	M48
K	50	50	50		70	70		102	102		125	140
ISO	F05	F05	F05		F07	F07		F10	F10		F12	F14
N x Z	4xM6	4xM6	4xM6		4xM8	4xM8		4xM10	4xM10		4xM12	4xM16
kg	2,4	3,5	4,6		9,2	11,5		25	39,5		88,1	160,5
ref.	196.04	196.05	196.06		196.08	196.09		196.11	196.12		196.14	196.16