

Weyn-Lauwers N.V.

Industriepark-Noord 12
B - 9100 SINT-NIKLAAS

Tel. : 00 32 (0)3 776.34.13
Fax : 00 32 (0)3 778.09.52
weynlauwers@weynlauwers.be
www.weynlauwers.be

NEEDLE VALVE
SS 316 - bsp - 6000 psi
fig 522

DESIGN FEATURES

- needle valve 1/4"-1" PN420 / 6000 psi
- threaded BSP
- min. temp : -54°C
- max. temp : +232°C
- specifications : safety bonnet lock prevents accidental disassembly

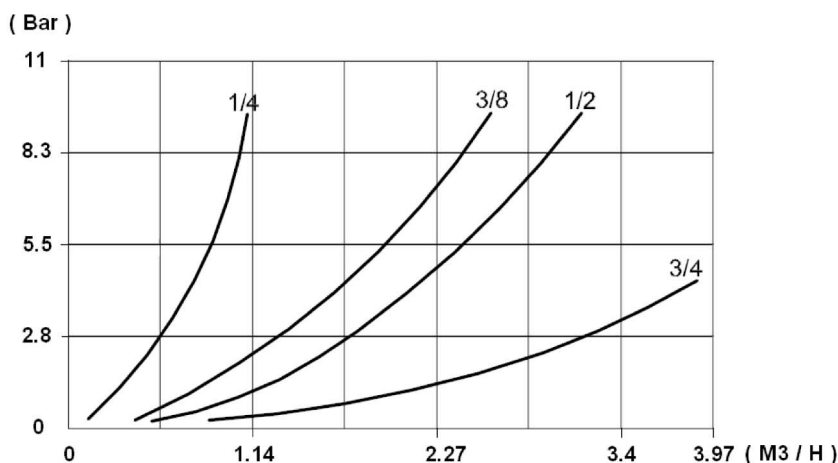
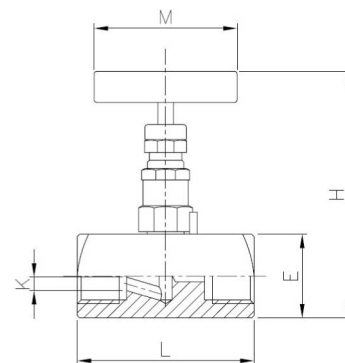
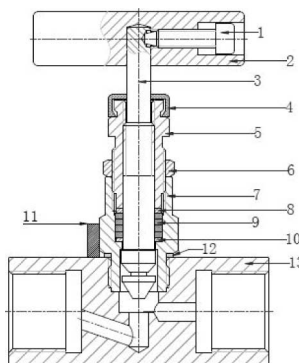


USE

- for common fluids
- max. pressure : 6000 psi at 38°C

MATERIALS

item	Part name	Material
1	grib screw handle	SS 316
2	handle	SS 316
3	stem shaft	SS 316 + stellite
4	dust cap	plastic
5	packing nut	SS 316
6	lock nut	SS 316
7	bonnet	SS 316
8	washer	SS 316
9	stem packing	PTFE
10	washer	SS 316
11	lock pin	SS 316
12	O-ring	viton
13	body	ASTM A182 F316



SIZE (in mm)

DN	1/4"	3/8"	1/2"	3/4"	1"
E	25,5	25,5	28,5	38,0	44,5
H	90	90	92	98	108
L	61	61	68	76	85
M	55	55	55	55	55
K	4	4	5	6	8
kg	0,365	0,355	0,44	0,80	1,12
ref.	205981	205982	205983	205984	205985