



**Weyn-Lauwers** N.V.

INDUSTRIEPARK-NOORD 12  
B - 9100 SINT-NIKLAAS

TEL. 0032 (0)3 776.34.13  
FAX. 0032 (0)3 778.09.52

weynlauwers@weynlauwers.be  
www.weynlauwers.be

**PINCH VALVE  
AKO  
fig 686**

**FEATURES**

- full bore with minimal pressure drop
- maintenance free
- can be installed in any position
- media : liquids, gases, granular, abrasive, viscous and pasty media
- working pressure : max 6 bar
- flanges according DIN 2501
- pilot media : air or water
- pilot pressure : working pressure + 2 bar

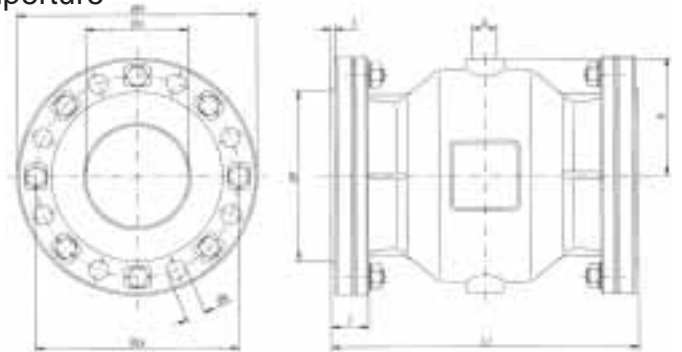
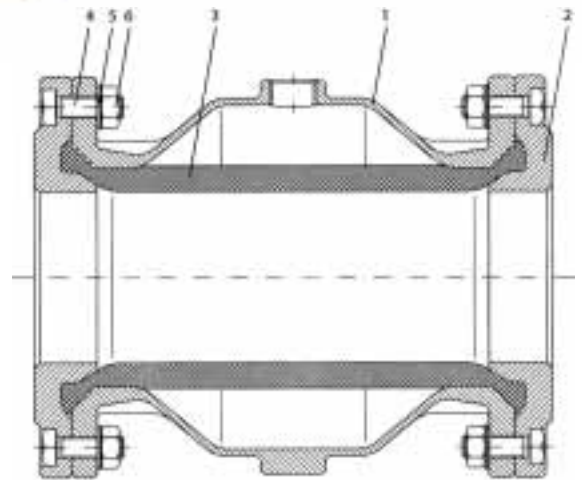


**TEMPERATURE RANGE**

- natural rubber +80°C
- high temperature +90°C

**MATERIALS**

- 1 body : aluminium
- 2 flanges : aluminium alloy  
option : grey cast iron  
              : stainless steel  
              : steel
- 3 sleeve : naturar rubber : abrasion-proof  
option : naturar rubber, food version  
              : naturar rubber, high temperature
- 4 screws : steel, zinc-plated
- 5 disc : steel, zinc-plated
- 6 hexagon nut : steel, zinc-plated



**DIMENSIONS**

Size ND	ref.	LF mm	M mm	LK mm	K mm	F mm	T mm	A mm	H mm	PN	kg
40	205540	155	150	110	18	88	32	1/4"	63	6	3,2
50	205541	183	165	125	18	102	30	1/4"	60	6	3,5
65	205542	183	185	145	18	122	32	1/4"	77	6	5,0
80	205543	227	200	160	18	133	32	1/4"	89	6	6,0
100	205544	281	220	180	18	158	35	1/4"	107	6	8,0
125	205545	350	250	210	18	184	39	1/4"	130	6	12
150	205546	420	286	240	22	212	43	1/4"	156	6	17
200	205547	555	340	295	22	269	60	3/8"	201	4	35
250	205548	610	395	350	22	320	49	3/8"	258	2	84