



Weyn-Lauwers N.V.

INDUSTRIEPARK-NOORD 12
B - 9100 SINT-NIKLAAS

TEL. 0032 (0)3 776.34.13
FAX. 0032 (0)3 778.09.52
weynlauwers@weynlauwers.be
www.weynlauwers.be

MOTOR-CONTROL VALVE 2/2-WAY

fig 550MA67x32/34
fig 550MK67x32/34

FEATURES

- 550MA : OPEN-CLOSE control
- 550KA : input 0/4 - 20 mA, 0/2 - 10 V
output 0/2 - 10 V
- x32 : operating time 3 mm/sec
- x34 : operating time 8 mm/sec
- flange connections drilled acc. PN25
- pressure range PN25
- leak range : 0,05 % of Kvs
- temperature range +1°C up to +180°C
- ambient temperature 0°C up to +50°C
- voltage 24V 50Hz or 230V 50Hz
- actuator : IP44
- medium : gases and liquids / viscosity < 400 mm²/s

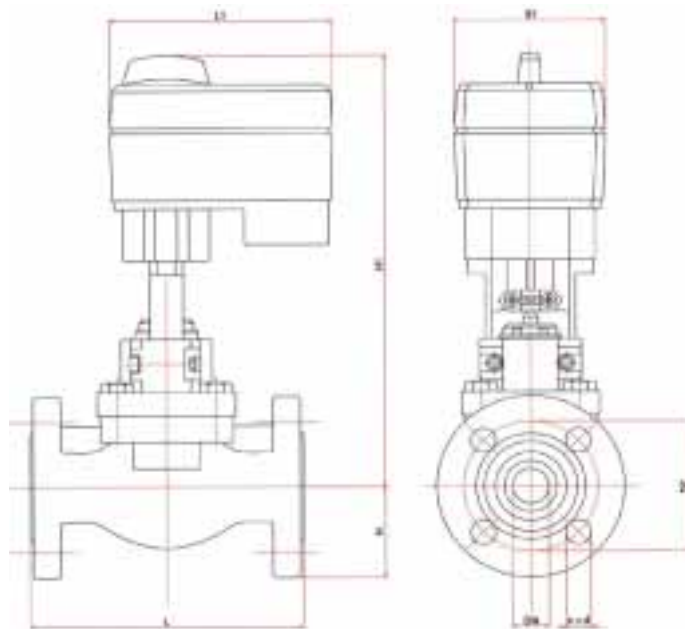


MATERIALS

- body : ductile iron GGG-40.3
- seat seals : metallic
- stem seals : PTFE
- 4 screws : steel, zinc-plated
- 5 disc : steel, zinc-plated
- 6 hexagon nut : steel, zinc-plated

Max. Δp (bar)

DN 65 : 13 bar
DN 80 : 8 bar
DN 100 : 5 bar



DIMENSIONS

Size ND	ref.	L mm	H mm	DC mm	d mm	n mm	Kv mm	kg mm	H1 mm	L1	B1
65		290	92,5	145	18	4	63	17,5	586	167	183
80		310	100	160	18	8	100	23,0	587	167	183
100		350	118	190	18	8	145	35,2	614	167	183