

Weyn-Lauwers N.V.

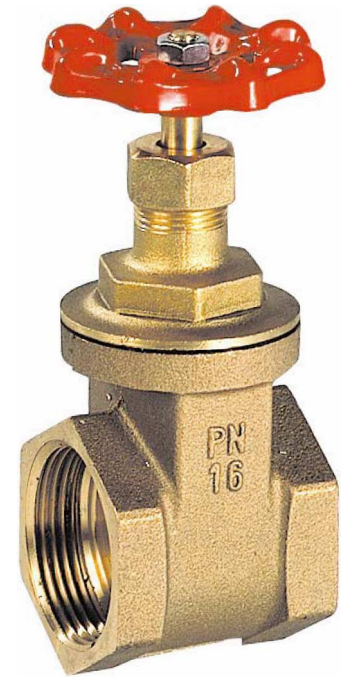
Industriepark-Noord 12
B - 9100 SINT-NIKLAAS

Tel. : 00 32 (0)3 776.34.13
Fax : 00 32 (0)3 778.09.52
weynlauwers@weynlauwers.be
www.weynlauwers.be

**GATE VALVE PN10/16
BRONZE - FF
FIG 302T**

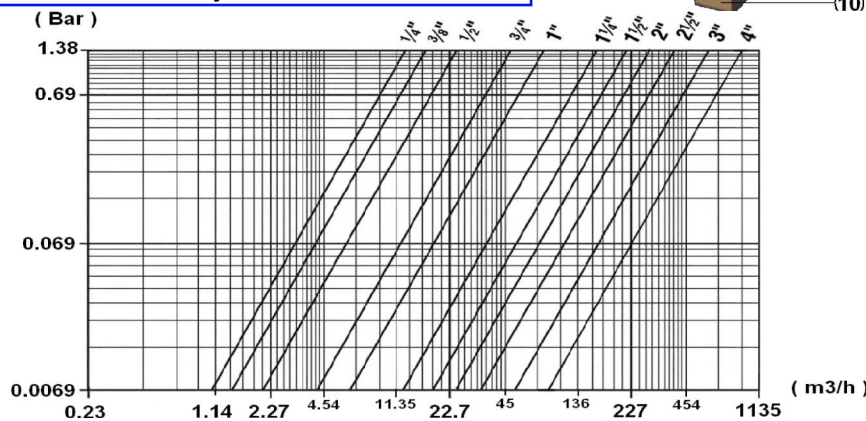
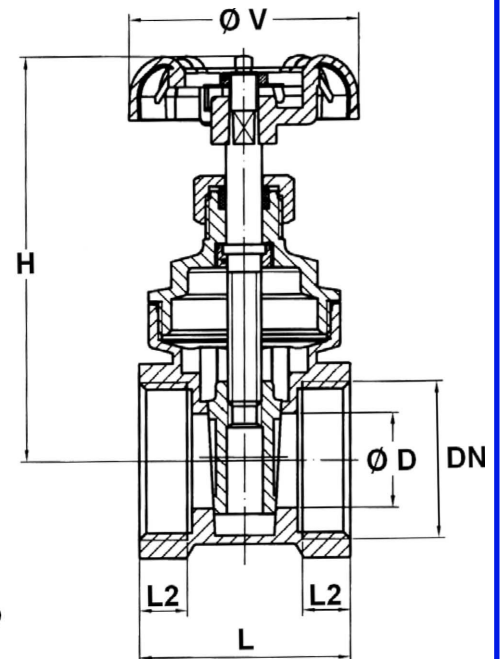
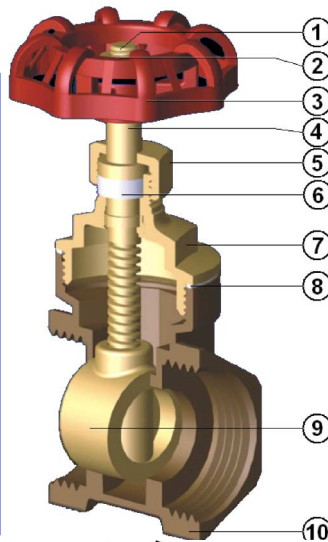
DESIGN FEATURES

- bronze gate valve PN10/16
- temp : -10°C +120°C
- specifications :
 - rotating non rising stem
 - inside screw stem
 - reduced bore
 - bronze
 - thread ends gas female-female cylindric BSP
- max. pressure : 16 bar up to 2", 10 bar over



MATERIALS

item	Part name	Material
1	handwheel nut	brass
2	ID plate	aluminium
3	handwheel 1/4"-6/4"	aluminium
3	handwheel 2"-4"	cast iron
4	stem	brass
5	packing nut	brass
6	packing	PTFE
7	bonnet	brass
8	bonnet gasket 1/4"-2"	PTFE
9	wedge disc	brass
10	body	bronze



SIZE (in mm)

DN	1/4"	3/8"	1/2"	3/4"	1"	1 1/4"	1 1/2"	2"	2 1/2"	3"	4"
D	11,6	12,5	14	17	20	25	31	43	60	70	84
L	33	36	37	40	44	50	52	56	65	70	83
L2	9	9	9	9,5	10	11,5	12	13	13,5	14	17
H	58	58	62	69	75	90	98	118	157	177	211
V	48	48	48	55	55	70	80	78	98	105	127
kg	0,17	0,16	0,18	0,25	0,33	0,51	0,67	0,97	2,01	2,54	4,80
ref.	302T.02	205658	205659	205660	205661	205662	205663	205664	205665	205666	205667