

Weyn-Lauwers N.V.

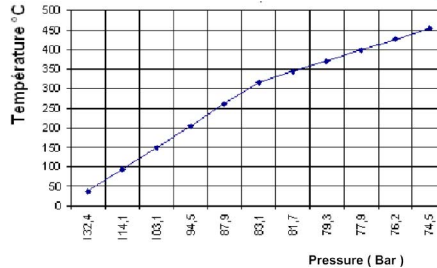
Industriepark-Noord 12
B - 9100 SINT-NIKLAAS

Tel. : 00 32 (0)3 776.34.13
Fax : 00 32 (0)3 778.09.52
weynlauwers@weynlauwers.be
www.weynlauwers.be

**FORGED GATE VALVE
SW - 800LBS
stainless steel
FIG 328**

DESIGN FEATURES

- forged gate valve 3/8"-2"
- **welding ends socket weld**
- min. temp : -30°C
- max. temp : +440°C
- specifications : rising stem
bolted bonnet
gland pack
reduced bore

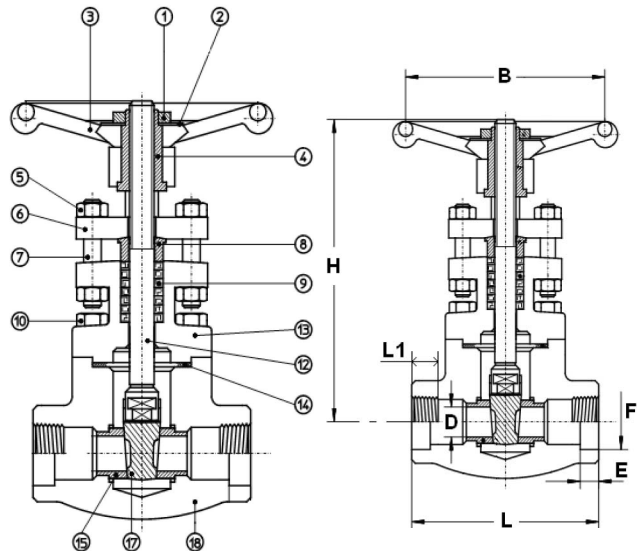


USE

- for all common fluids max. press. 138 bar

MATERIALS

item	Part name	Material
1	wheel nut	carbon steel
2	name plate	aluminium
3	handwheel	carbon steel
4	Yoke nut	ASTM A582 type 303
5	Gland nut	ASTM A194 GR.8
6	Gland flange	ASTM A182 F304
7	Gland stud	ASTM A193 B8
8	Gland	ASTM A479 type 304
9	packing	graphite
10	bolts	ASTM A193 B8
12	stem	ASTM A479 type 316
13	bonnet	ASTM A182 F316
14	gasket	SS316+graphite spiral w.
15	seat	ASTM A479 type 316
17	wedge	ASTM A182 F316
18	body	ASTM A182 F316



SIZE (in mm)

DN	3/8"	1/2"	3/4"	1"	1 1/4"	1 1/2"	2"			
D	9,6	9,6	14	18	24	30	36,5			
L	80	80	90	110	127	127	127			
H open	148	148	163	178	210	243	262			
B	90	90	90	110	110	130	130			
E	11,1	12,7	14,5	16	17,5	19	22			
F	17,6	21,72	27,05	33,78	42,54	48,64	61,11			
Kv m3h	3,7	4,8	10,4	23,4	47,6	69,2	90,8			
kg	1,84	1,84	2,06	3,35	4,9	6,5	8,8			
ref.	328.03	328.04	328.05	328.06	328.07	328.08	328.09			