

Weyn-Lauwers N.V.

Industriepark-Noord 12
B - 9100 SINT-NIKLAAS

Tel. : 00 32 (0)3 776.34.13
Fax : 00 32 (0)3 778.09.52
weynlauwers@weynlauwers.be
www.weynlauwers.be

**CHECK VALVE
SS316 - FF - PN16
FIG 714**

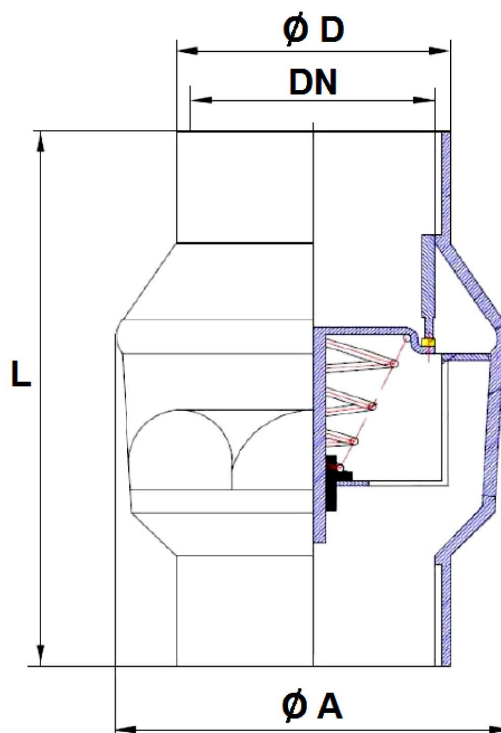
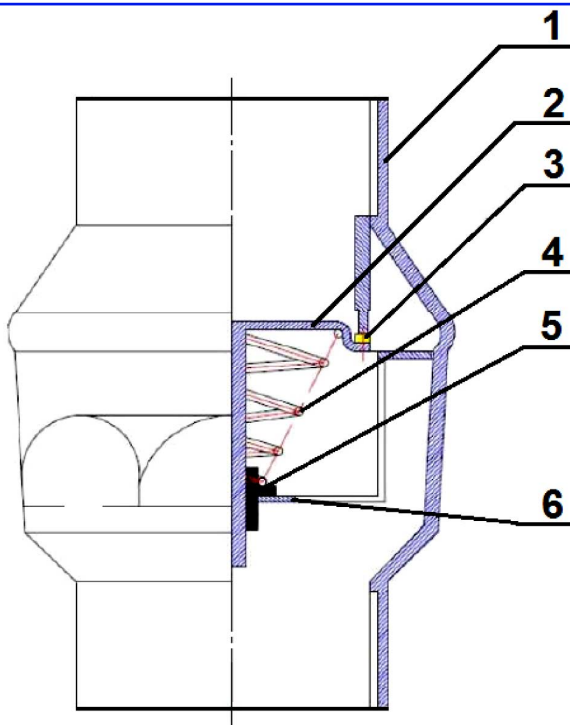
DESIGN FEATURES

- SS316 check valve PN16
- temp : -25°C +150°C
- specifications :
 - disc check valve
 - thread ends gas female-female cylindric BSP
 - for all common fluids
 - all positions
 - respect the flow direction indicated by arrow



MATERIALS

item	Part name	Material
1	body	SS316
2	disc	SS304
3	gasket	black FKM (viton)
4	spring	SS304
5	guiding bush	PTFE
6	holder	SS304



SIZE (in mm)

DN	1/4"	3/8"	1/2"	3/4"	1"	1 1/4"	1 1/2"	2"	2 1/2"
L	66	66	66	70	80	108	115	126	147
A	32	32	32	45	55	70	76	89	109
D	18	22	24	30	38	46	51	64	80
kg	0,12	0,12	0,12	0,17	0,24	0,48	0,58	0,94	1,20
ref.	714.02	714.03	714.04	714.05	714.06	714.07	714.08	714.09	714.10
opening pressure mbar	100	100	100	200	200	300	400	450	700