

**Weyn-Lauwers** N.V.

Industriepark-Noord 12  
B - 9100 SINT-NIKLAAS

Tel. : 00 32 (0)3 776.34.13  
Fax : 00 32 (0)3 778.09.52  
weynlauwers@weynlauwers.be  
www.weynlauwers.be

**LIFT CHECK VALVE  
BSP  
BRONZE / PTFE  
FIG 716**

**DESIGN FEATURES**

- lift check valve 3/8"-2" PN16
- threaded BSP
- min. temp : -10°C
- max. temp : +180°C
- specifications : lift type  
minimum opening press. 0,5 bar  
sealing in PTFE

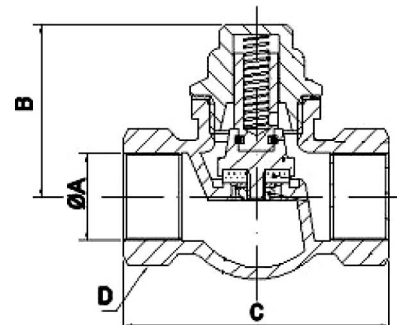
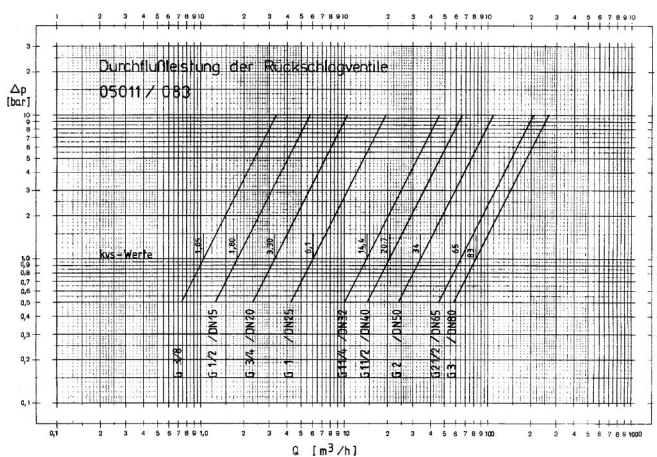
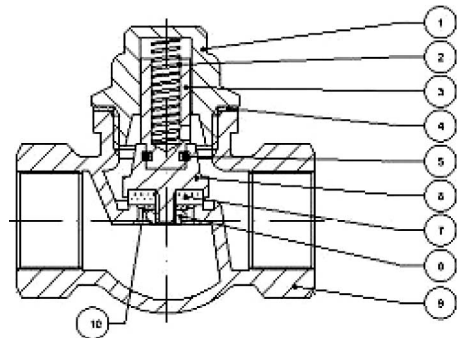
**USE**

- for all common fluids, assembly in any position
- max. pressure : 16 bar

**MATERIALS**



item	Part name	Material
1	bonnet	brass EN12165
2	spring	AISI 302
3	stem	brass EN12164
4	joint	fiber
5	fixing ring	steel
6	disc	brass EN12164
7	gasket	PTFE
8	nut	brass
9	body	bronze EN 1982
10	ring	bronze



**SIZE (in mm)**

DN	3/8"	1/2"	3/4"	1"	1 1/4"	1 1/2"	2"
A	3/8"	1/2"	3/4"	1"	1 1/4"	1 1/2"	2"
B	38	39	48	53	56	63	72
C	45	50	61	71	85	90	110
D	CH22	CH27	CH32	CH41	CH50	CH58	CH70
kg	0,145	0,205	0,340	0,460	0,770	0,990	1,64
ref.	205301	205302	205303	205304	205305	205306	205307