

**Weyn-Lauwers** N.V.

Industriepark-Noord 12  
B - 9100 SINT-NIKLAAS

Tel. : 00 32 (0)3 776.34.13  
Fax : 00 32 (0)3 778.09.52  
weynlauwers@weynlauwers.be  
www.weynlauwers.be

**SWING CHECK VALVE  
PN16  
FIG 783**

**DESIGN FEATURES**

- wafer type swing check valve dn40 - dn300 PN16
- temp : -10°C +180°C
- specifications :
  - assembly between flanges PN10-PN16
  - installed with vertical or horizontal flow
  - reduced bore
  - external O-ring made in viton (FKM)
  - disc O-ring made in viton (FKM)

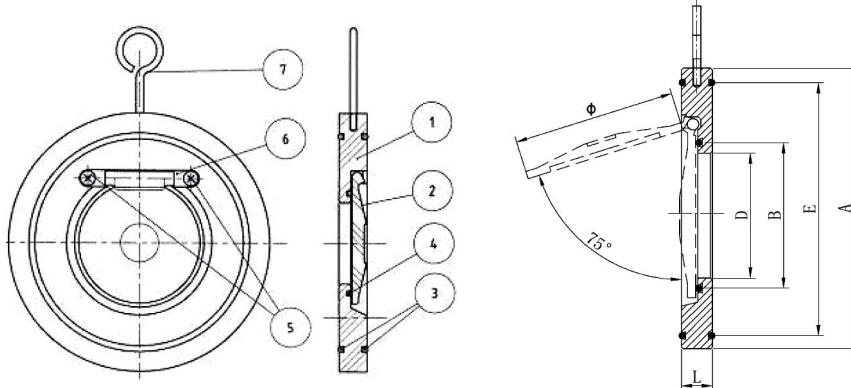
**USE**

- for all common fluids
- max. working pressure : 16 bar



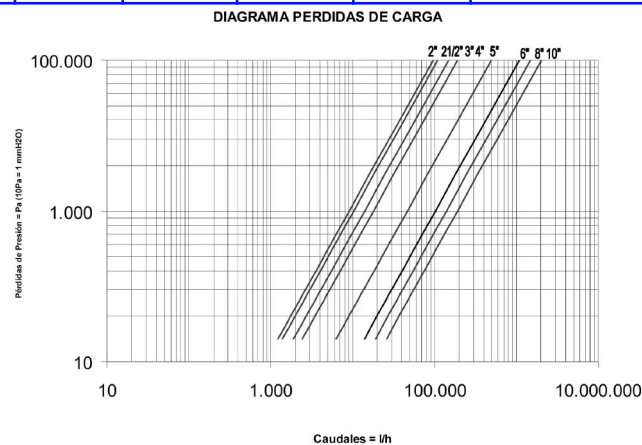
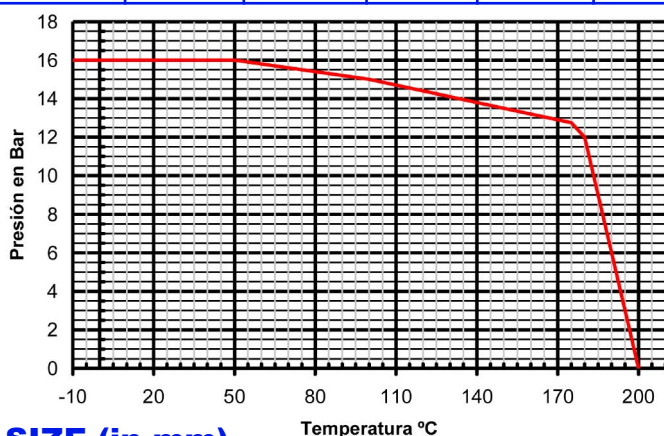
**MATERIALS**

item	Part name	Material
1	body	SS316
2	disc	SS316
3	O-ring	viton
4	O-ring	viton
5	screw	SS316
6	stopper	SS316
7	hook	steel



**FLOW COEFFICIENT Kv (m3/h)**

DN	40	50	65	80	100	125	150	200	250	300
Kv		25,57	42,48	67,63	248	551	729	1045	1907	



**SIZE (in mm)**

DN	40	50	65	80	100	125	150	200	250	300
A	92	105	124	136	164	194	220	275	330	384
B	33	41	51	65	85	106	130	170	220	255
D	25	32	40	54	70	92	114	154	200	230
E	75	84	96	118	148	166	197	249	310	358
L	12	14	14	14	18	18	20	22	26	30
diam.	40	47,5	63	74	92	116	138	179	230	270
kg	0,71	0,80	1,15	1,34	2,30	3,10	4,40	7,15	11,95	20,50
ref.	783.08	205460	205461	205462	205463	205464	205465	205466	205467	205468