

Weyn-Lauwers N.V.

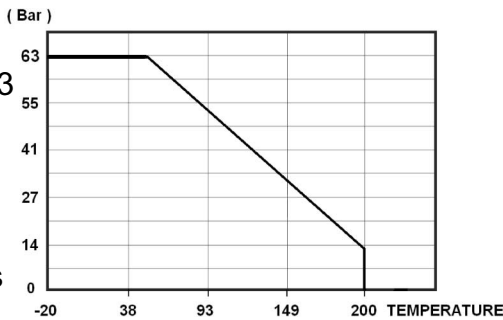
Industriepark-Noord 12
B - 9100 SINT-NIKLAAS

Tel. : 00 32 (0)3 776.34.13
Fax : 00 32 (0)3 778.09.52
weynlauwers@weynlauwers.be
www.weynlauwers.be

**CHECK VALVE
BSP
3-pc AISI 316
FIG 784T**

DESIGN FEATURES

- 3-PC check valve 1/4"-4" PN63
- threaded BSP
- min. temp : -20°C
- max. temp : +200°C
- specifications : spring type
all positions
metal/metal



USE

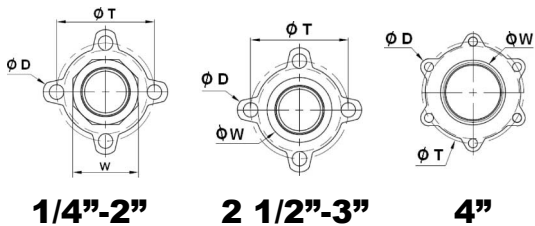
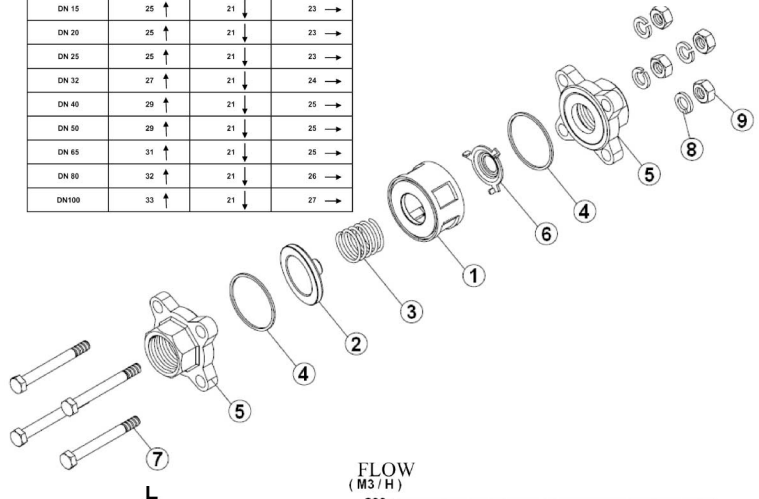
- for all common fluids
- max. pressure : up to 63 bar

MATERIALS

OPENING PRESSURE (in mbar) :

DN	Vertical Position Ascending fluid	Vertical Position Descending fluid	Horizontal Position
DN 08	25 ↑	21 ↓	23 →
DN 10	25 ↑	21 ↓	23 →
DN 15	25 ↑	21 ↓	23 →
DN 20	25 ↑	21 ↓	23 →
DN 25	25 ↑	21 ↓	23 →
DN 32	27 ↑	21 ↓	24 →
DN 40	29 ↑	21 ↓	25 →
DN 50	29 ↑	21 ↓	25 →
DN 65	31 ↑	21 ↓	25 →
DN 80	32 ↑	21 ↓	26 →
DN100	33 ↑	21 ↓	27 →

item	Part name	Material
1	body	ASTM A351 CF8M
2	disc	ASTM A240-316
3	spring	SS 316
4	gasket	PTFE
5	ends	ASTM A351 CF8M
6	spring holder	ASTM A240-316
7	screw	SS 304
8	washer	SS 304
9	nut	SS 304



SIZE (in mm)

DN	1/4"	3/8"	1/2"	3/4"	1"	1 1/4"	1 1/2"	2"	2 1/2"	3"	4"
P	10	10	14	19	25	31	39	49	64	78	97
L	60	60	63	71	81,5	91	97,5	117	131,5	143,5	175
L1	16	16	18	20	20	23	23	27	33	35	45
L2	21	21	22	23,5	26	29	30	35	42	44	52
B	18	18	19	24	29,5	33	37,5	47	47,5	55,5	71
D	12	12	14	16	16	18	18	18	18	18	18
T	36,5	36,5	42,7	51,7	58,7	72,7	83,7	98,7	129	153,5	187
W	22	22	26	32	39	49	56	69	83	100	123
kg	0,3	0,2	0,4	0,5	0,7	1,3	1,7	2,5	4,3	6,2	11
ref.	205470	205471	205472	205473	205474	205475	205476	205477	205478	205479	

