



Weyn-Lauwers N.V.

INDUSTRIEPARK-NOORD 12
B - 9100 SINT-NIKLAAS

TEL. 0032 (0)3 776.34.13
FAX. 0032 (0)3 778.09.52

weynlauwers@weynlauwers.be
www.weynlauwers.be

BUTTERFLY VALVE fig 211

MODEL 211

wafer type butterfly valve
fluid applications : water, seawater, air, oil, gas, etc.

face to face acc. to **ISO 5752** short pattern
actuator mounting pad flange acc. to **ISO 5211**
flange requirements : din PN 10 / ANSI 125/150

acc. to **PED / CE-labeled**

standard : up to dn 200 : with lever

from dn 250 : with gear

option : pneumatic or electric actuator

rating : 2" - 12" : 16 bar

14" - 24" : 10 bar

EPDM SEAL : -20°C +120°C

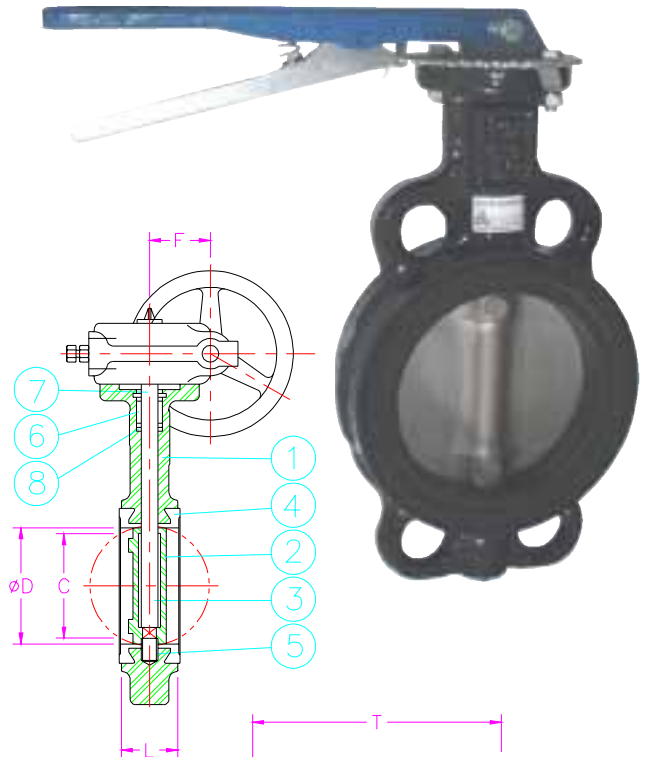
OPTION : NBR seal (fig 211B) : -10°C +80°C

SILICONE seal (fig 211S) : -20°C +204°C

HYPALON seal (fig 211H) : -20°C +135°C

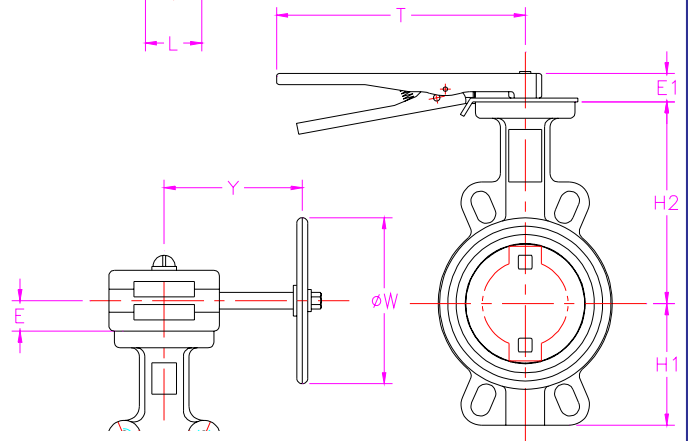
VITON seal (fig 211V) : -18°C +204°C

NEOPREEN seal (fig 211N) : 0°C +80°C



MATERIAL LIST

No.	Name	Materials	ASTM
1	BODY	Ductile iron	A 536-65-45-12
2	DISC	Stainless Steel	A351 CF8M
3	STEM	Stainless steel	A182 F316
4	SEAT	EPDM	
5	BOTTOM BUSH	Bronze	B62
6	UPPER BUSH	Delin (acetal)	
7	RETAINING PIN	Stainless steel	A182 F304
8	O-RING	NBR (nitrile)	



DIMENSION LIST (in mm)

Size		Ref No.	L	C	D	H1	H2	F	E1	E	Y	W	T	Torque NM	ISO 5211	Weight (Kg)	
INCH	mm															LEVER	GEAR
2"	50	206022	43	36	57	85	143	45	30	28	125	150	200	20	F07	3,9	7,2
2 1/2"	65	206023	46	55	70	90	155	45	30	28	125	150	200	25	F07	4,7	8
3"	80	206024	46	66	82	98	162	45	30	28	125	150	200	30	F07	4,9	8,2
4"	100	206025	52	89	104	107	181	45	30	28	125	150	260	40	F07	6,8	9,6
5"	125	206026	56	102	127	125	197	45	30	28	125	150	260	60	F07	9	11,7
6"	150	206027	56	137	150	140	210	45	30	28	125	150	260	70	F07	10	12,6
8"	200	206028	60	184	194	170	240	71	33	30	230	250	355	160	F10	17	22
10"	250	206029	68	236	247	207	286	71	33	30	230	250	355	240	F10	25	30
12"	300	206030	78	286	297	244	309	71	33	30	230	250	355	400	F10	37	42
14"	350	206031	78	325	332	272	325	95		40	290	350		830	F14		63
16"	400	206032	102	378	387	295	355	95		40	290	350		1110	F14		75
18"	450	206033	114	425	436	330	395	95		40	290	350		1390	F14		95
20"	500	206034	127	472	488	360	400	114		70	360	350		1730	F16		140
24"	600	206035	154	564	581	430	490	114		70	360	350		2020	F16		220