



Weyn-Lauwers N.V.

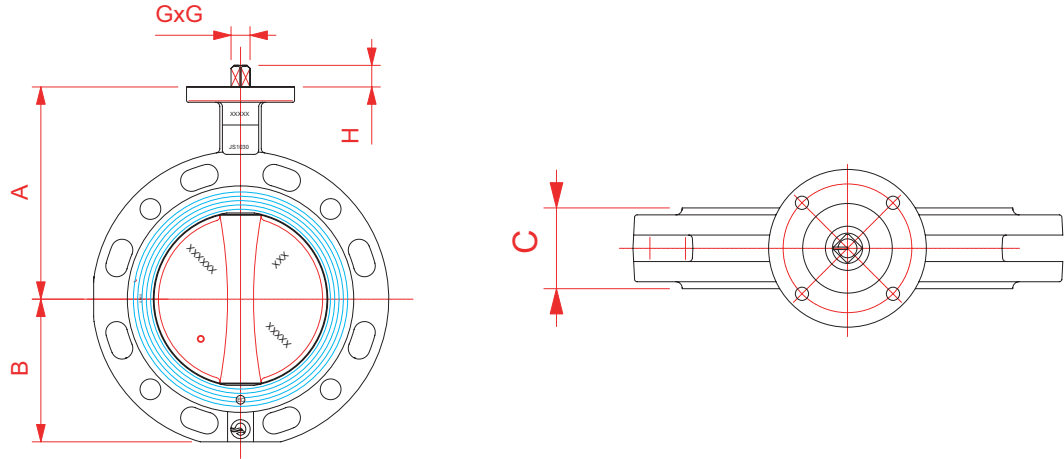
INDUSTRIEPARK-NOORD 12
B - 9100 SINT-NIKLAAS

TEL. 0032 (0)3 776.34.13
FAX. 0032 (0)3 778.09.52

weynlauwers@weynlauwers.be
www.weynlauwers.be

BUTTERFLY VALVE DOUBLE FLANGED FIG 245 DN 200 - DN 350

Overall dimensions



DN	A	B	C	ØD	E	F	GxG	H	ØJ	K	POIDS
200	246	164	60	343	10.5	102	17	25	71	125	20
250	271	200	68	406			22	32			33
300	296	238	78	483	12.5	125			87	150	46
350	305	280	78	533			27	40			60

(1) Ductile iron EN GJS-400-15, disc EPDM liner.
To be used for EPDM and NITRILE liner.

MATERIAL SPECIFICATIONS

Item	Qty.	Description	Materials
1	1	Casing	Ductile iron EN GJS 400-15
2	1	Disc	(1)
3	1	Shaft	Stainless steel 420 (13 % Cr)
4	1	Liner	See temperature table
5	1	Circlips	Steel XC 75 / Stainless steel
6	1	Seal	Nitrile/FKM
7	1	Ring	IXEF/Brass(DN350)
8	1	Riveted metal tag	Aluminium
9	1	Anti-extrusion ring	Stainless steel 304 L
10	2	Guide bearings	Zinc coated steel + PTFE

(1) Ductile iron EN GJS 400-15, Inox 316, Cupro-aluminium.

